

Double Sided Self Service Protector

FINISH:

- Clear Anodized Aluminum
- Powder Coat:
 - Black
 - Silver

RAL#

GLASS (Clear Tempered):

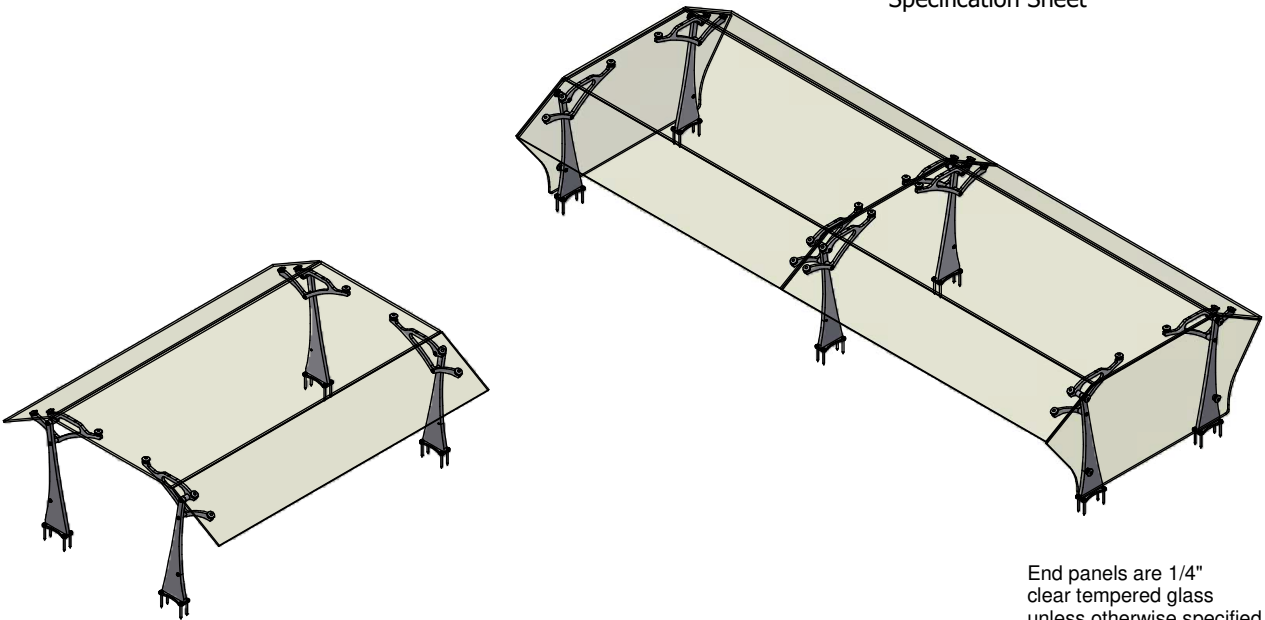
- 1/4" Front - Std
- 3/8" Front
- 3/8" Top - Std

OPTIONS (*):

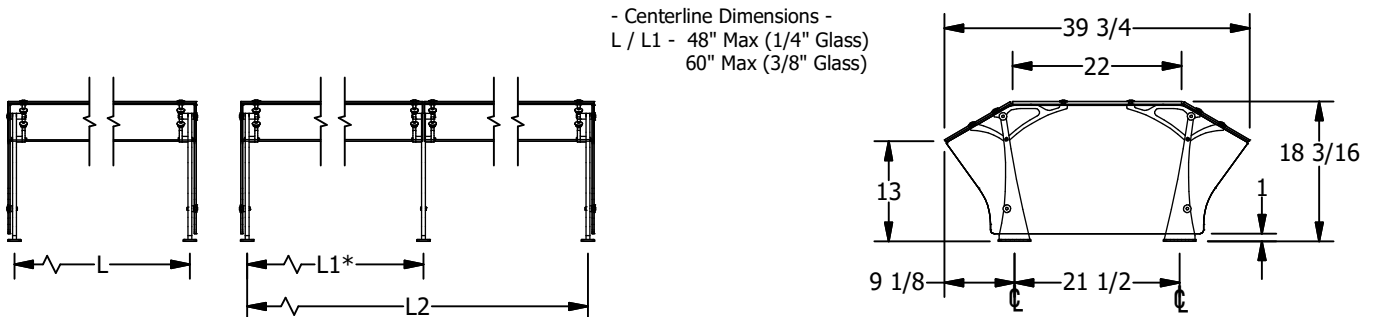
- End Panel - LT
- End Panel - RT
- VG 12V LED Light
- Hatco Strip Heater

Model# _____

(*) Not all options available on all models.
Contact Factory for specific information.
For Mounting Options, see Mounting
Specification Sheet



End panels are 1/4" clear tempered glass unless otherwise specified.



(* - Middle support is centered unless L1 dimension is specified)