

FINISH:

- Clear Anodized Aluminum
 - Powder Coat:
 - Black Silver
- RAL# _____

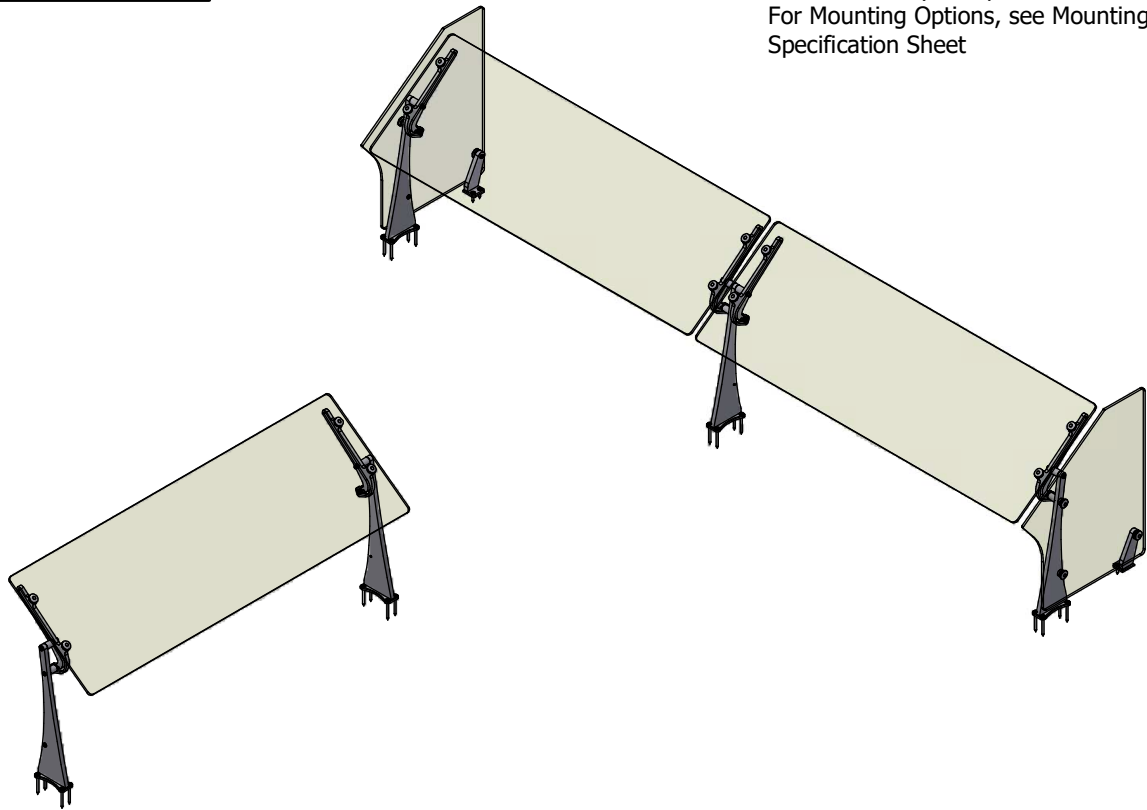
GLASS (Clear Tempered):

- 1/4" Front - Std

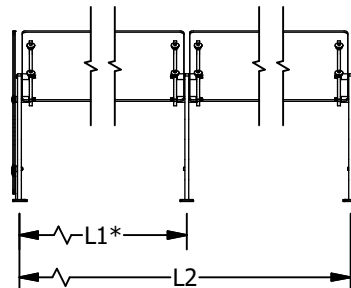
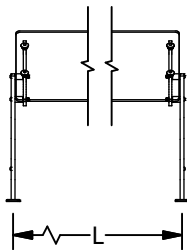
OPTIONS (*):

- End Panel - LT
- End Panel - RT

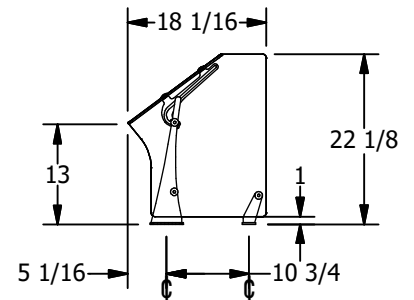
(*) Not all options available on all models.
Contact Factory for specific information.
For Mounting Options, see Mounting
Specification Sheet



End panels are 1/4" clear tempered glass unless otherwise specified.

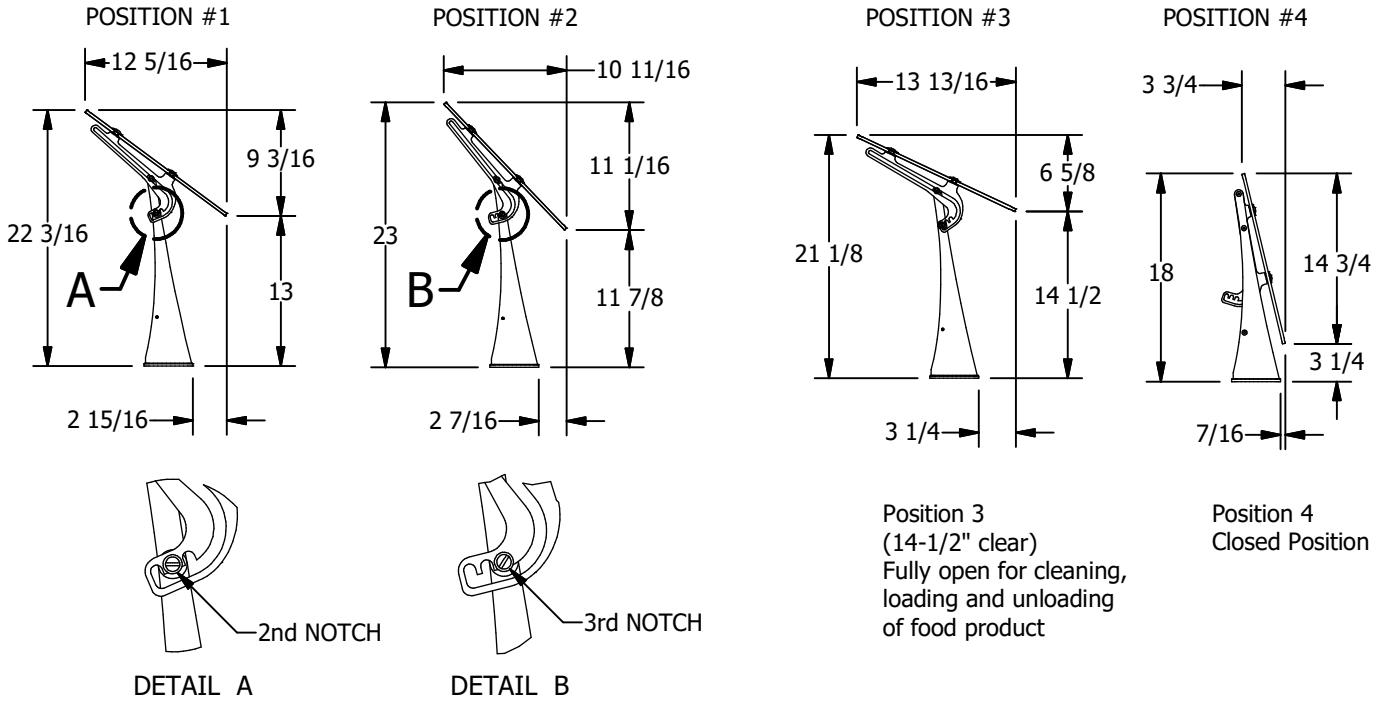


- Centerline Dimensions -
L / L1 - 48" Max (1/4" Glass)



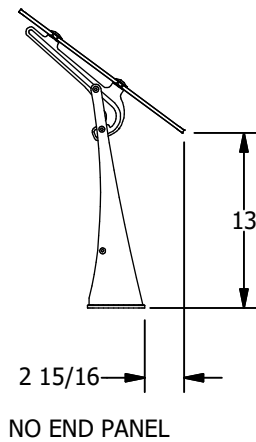
(* - Middle support is centered unless L1 dimension is specified)

GLASS POSITIONS



END PANEL OPTIONS

OPEN NO END PANEL



FIXED OPEN NOTCHED

