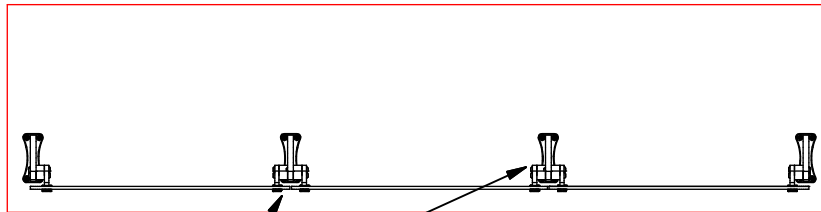


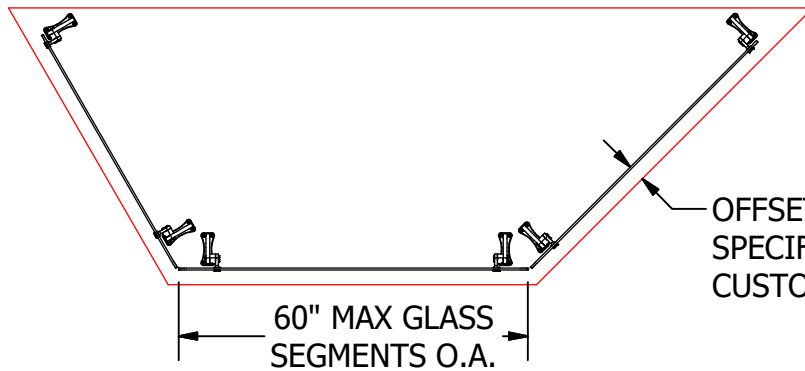
STRAIGHT COUNTER FRONT



ON STRAIGHT COUNTERS, UNITS MAY SHARE INTEGRAL CENTER SUPPORTS.

FOR FACETED OR CURVED COUNTERS
- MINIMUM OF TWO SUPPORTS PER GLASS SEGMENT
- NO SHARED SUPPORTS AT CORNERS OR ANGLES

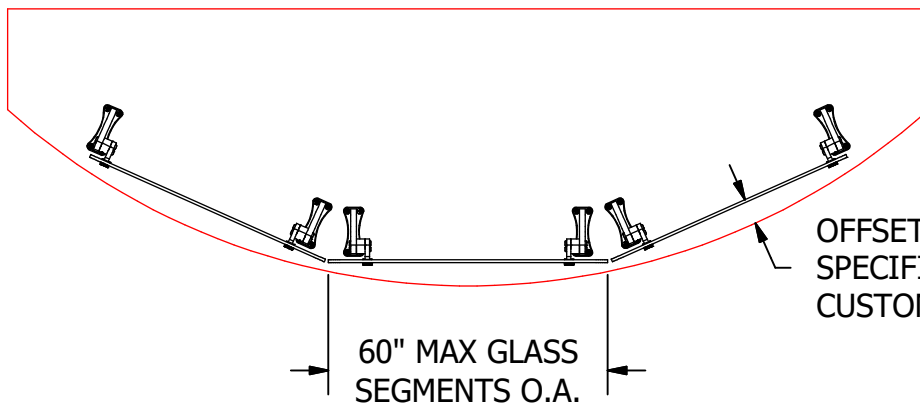
FACETED COUNTER FRONT



OFFSET AS SPECIFIED BY CUSTOMER

60" MAX GLASS SEGMENTS O.A.

RADIUS COUNTER FRONT



OFFSET AS SPECIFIED BY CUSTOMER

60" MAX GLASS SEGMENTS O.A.

