

Full Service Sloped Vertical Protector

- Cafeteria Counters
- Cooking Stations
- Carving Stations

FINISH:

- Brushed Stainless Steel
- Clear Anodized Aluminum
- Powder Coat:

- Black Silver

RAL # _____

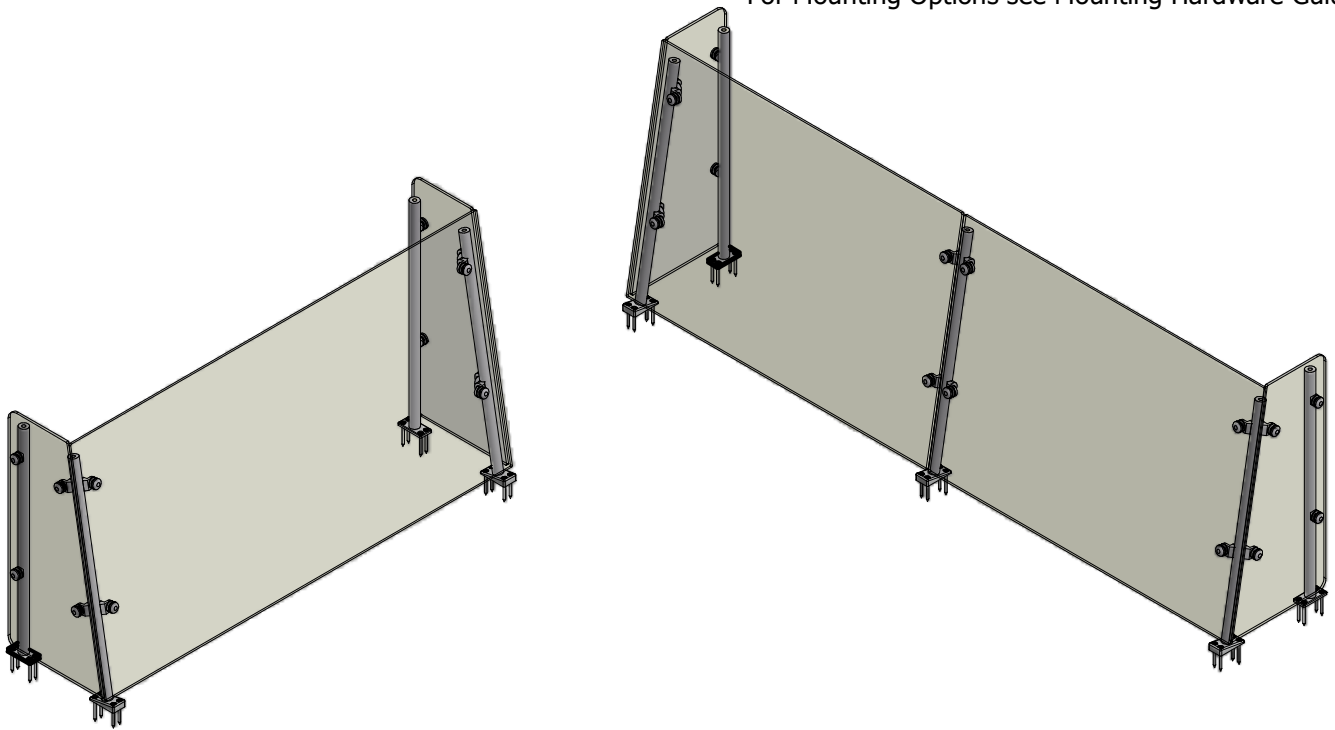
GLASS:

- 1/4" Clr Temp - Std
- Frosted

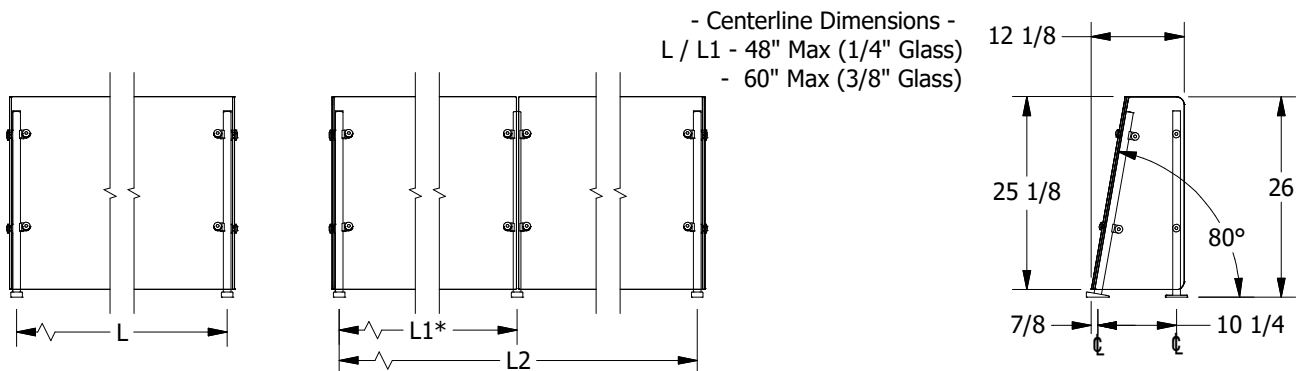
OPTIONS(*):

- End Panel - LT
- End Panel - RT
- Shelf Kit

(*) Not all options available on all models
Contact factory for specific information
For Mounting Options see Mounting Hardware Guide



End panels are 1/4" clear tempered glass unless otherwise specified.



(* - Middle support is centered unless L1 dimension is specified)