

Convertible Protector w/ Shelf

FINISH:

- Brushed Stainless Steel
- Clear Anodized Aluminum
- Powder Coat:
 - Black
 - Silver

RAL # _____

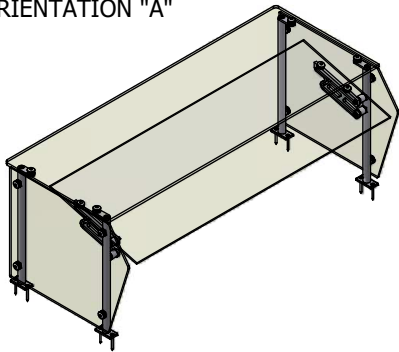
GLASS:

- 1/4" Front - Std
- 3/8" Top - Std
- 1/2" Top
- Frosted

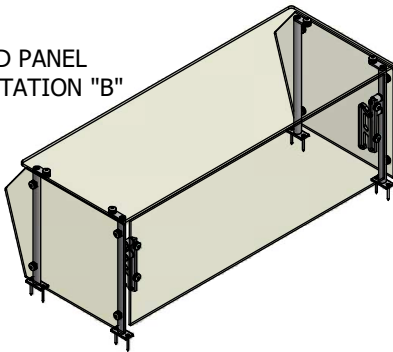
OPTIONS(*):

- End Panel - LT
- End Panel - RT
- Light Fixture
- Warmer

END PANEL ORIENTATION "A"



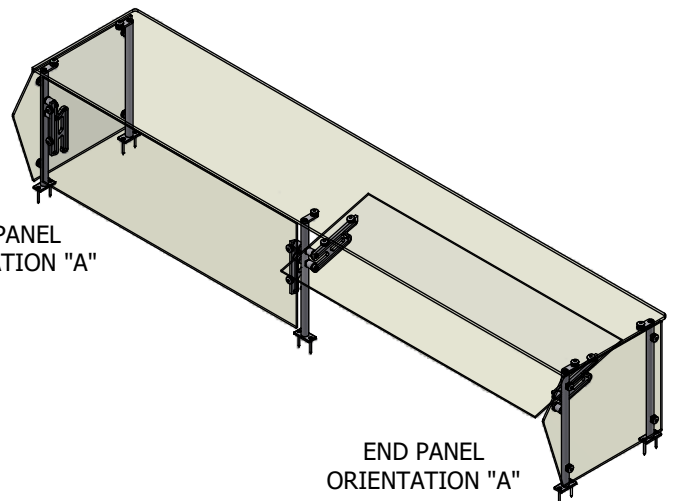
END PANEL ORIENTATION "B"



End Panel Orientation Option:

- For Convertible (Service to Self-Service) option choose End panel Orientation "A"
- For Service Protector option choose End Panel Orientation "B"

END PANEL ORIENTATION "A"



END PANEL ORIENTATION "A"

- Centerline Dimensions -

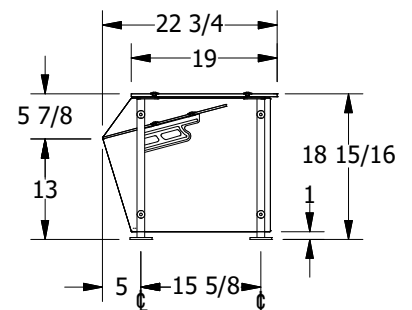
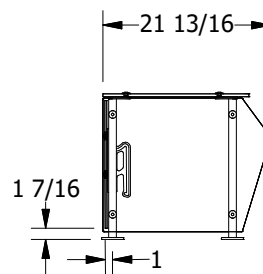
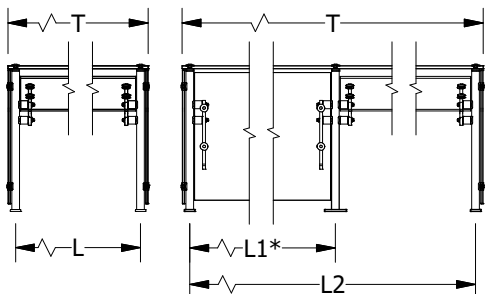
L / L1 - 51 3/4" Max (1/4" Glass Front)

L2 - 103 1/2" Max

End panels are 1/4" clear tempered glass unless otherwise specified.

T = Top Panel in One Piece

T = 105 7/8" Max



(* - Middle support is centered unless L1 dimension is specified)