

Convertible Protector

FINISH:

- Brushed Stainless Steel
- Clear Anodized Aluminum
- Powder Coat:
 - Black
 - Silver

RAL # _____

GLASS:

- 1/4" Front - Std

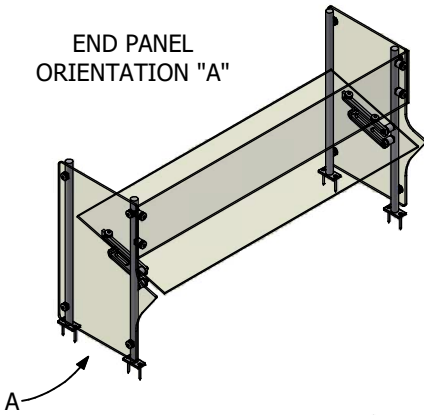
OPTIONS(*):

- End Panel - LT**
 - End Panel - RT**
- ** - END PANELS
ARE REQUIRED

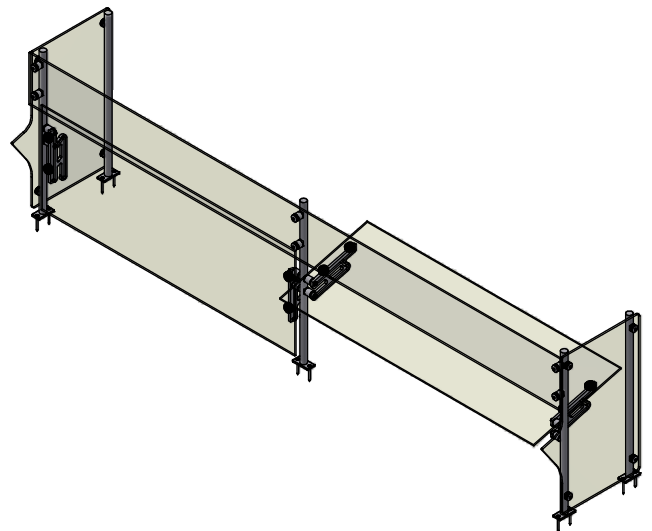
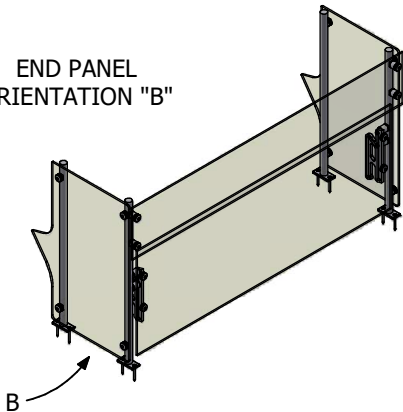
End Panel Orientation Option:

- For Convertible (Service to Self-Service) option choose End panel Orientation "A"
- For Service Protector option choose End Panel Orientation "B"

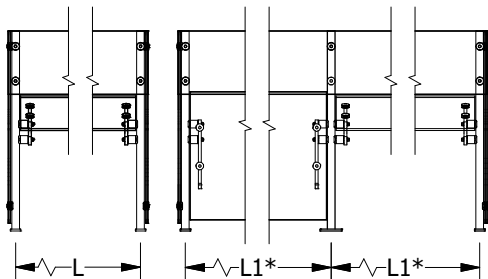
END PANEL ORIENTATION "A"



END PANEL ORIENTATION "B"

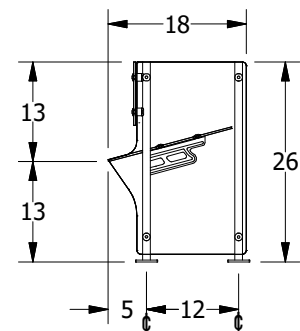


End panels are 1/4" clear tempered glass unless otherwise specified.



- Centerline Dimensions -
L / L1 - 51 3/4" Max

Maximum unit span is limited to (3) sections, or 155-1/4" cl



(* - Middle support is centered unless L1 dimension is specified)