

6-Position Convertible Protector

FINISH:

- Clear Anodized Aluminum - Std.
- Brushed Stainless Steel
- Powder Coat:
 - Black
 - Silver

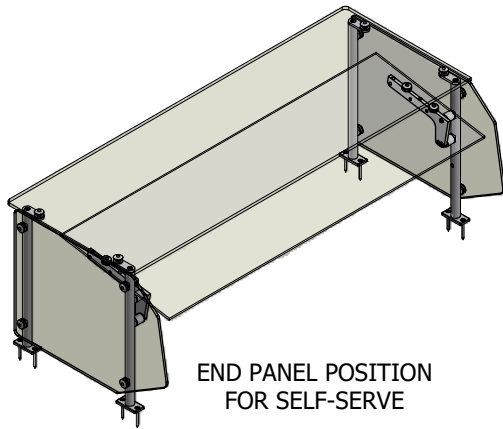
RAL # _____

GLASS:

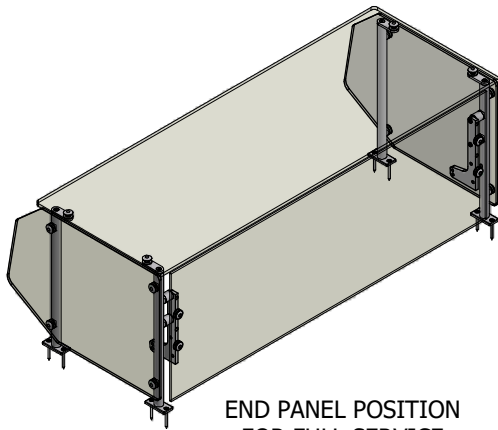
- 1/4" Front - Std
- 3/8" Front
- 3/8" Top - Std
- 1/2" Top

OPTIONS(*):

- End Panel - LT
- End Panel - RT
- Light Fixture
- Warmer



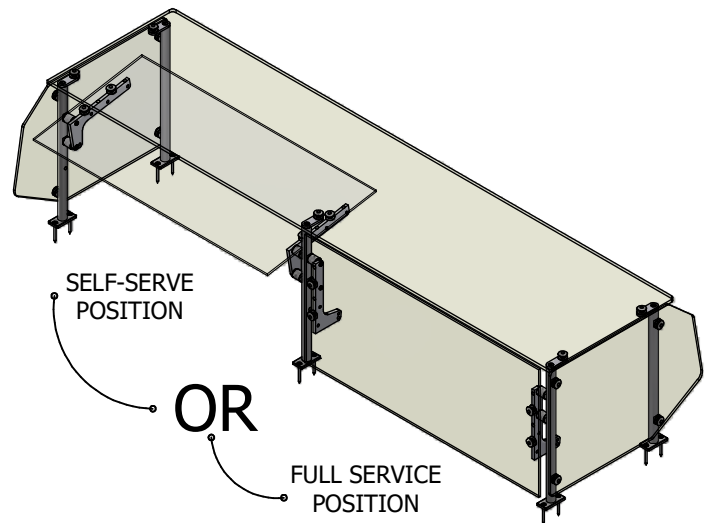
END PANEL POSITION FOR SELF-SERVE



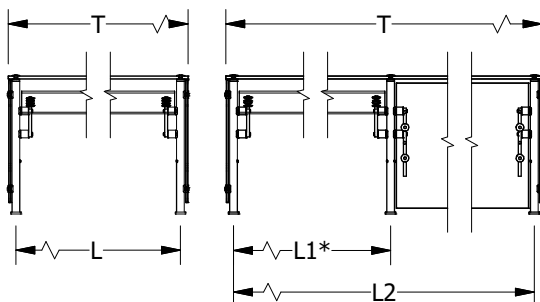
END PANEL POSITION FOR FULL SERVICE

End Panel Configuration:

End Panel Flips 180° to Function for Either Full-Service or Self-Serve Application

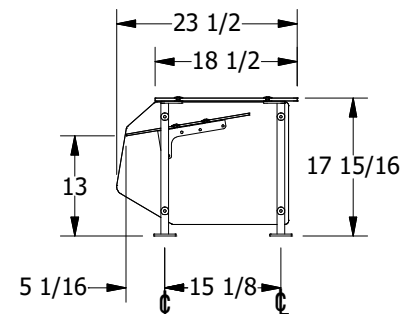


End panels are 1/4" clear tempered glass unless otherwise specified.



- Centerline Dimensions -
L / L1 - 51 3/4" Max (1/4" Glass Front)
63-3/4" Max (3/8" Glass Front)

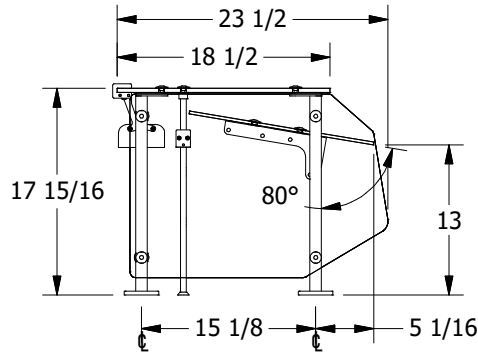
T = 116" Max in (1) Piece



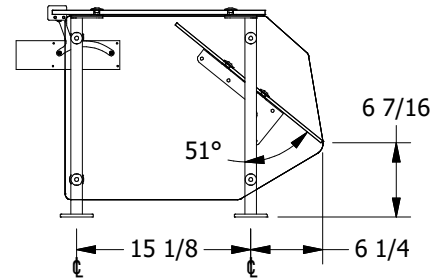
(* - Middle support is centered unless L1 dimension is specified)

6-Position Convertible Protector

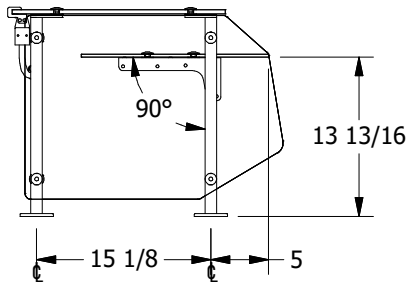
GLASS ADJUSTMENT POSITIONS



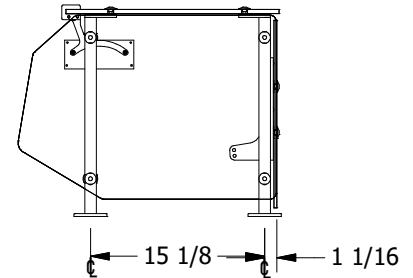
POSITION #1
SELF-SERVE
-SHOWN WITH HATCO GRN WARMER & VG LED



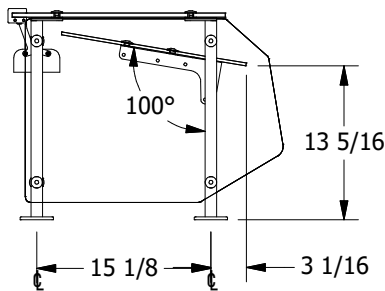
POSITION #2
PASS THROUGH / SELF-SERVE
-SHOWN WITH HATCO GRAL WARMER/LIGHT



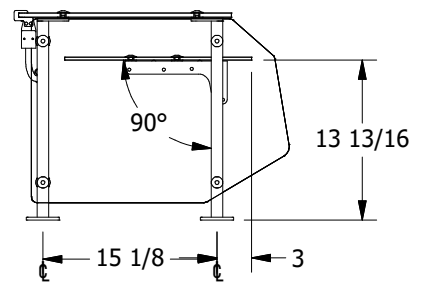
POSITION #3
SELF-SERVE for PORTABLE EQUIPMENT
-SHOWN WITH VG LED



POSITION #4
FULL SERVICE
-SHOWN WITH HATCO GRA WARMER



POSITION #5
SELF-SERVE for PORTABLE EQUIPMENT
-SHOWN WITH HATCO GRN WARMER



POSITION #6
SELF-SERVE for PORTABLE EQUIPMENT
-SHOWN WITH VG LED