

Protected by US Patent 7,040,723  
Other Patents Pending

## Full Service Vertical Protector w/ Shelf

- Cafeteria Counters
- Cooking Stations
- Carving Stations

### FINISH:

- Brushed Stainless Steel
- Clear Anodized Aluminum
- Powder Coat:
  - Black
  - Silver

RAL # \_\_\_\_\_

### GLASS:

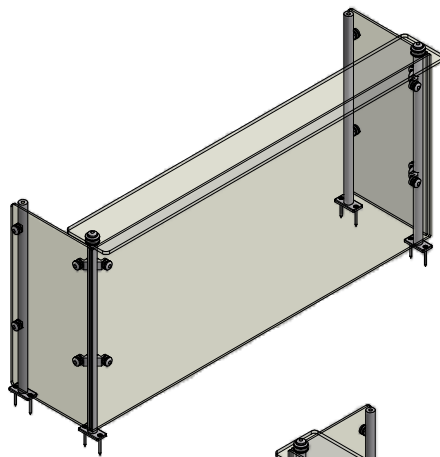
- 1/4" Clr Temp - Std
- Frosted

### OPTIONS(\*):

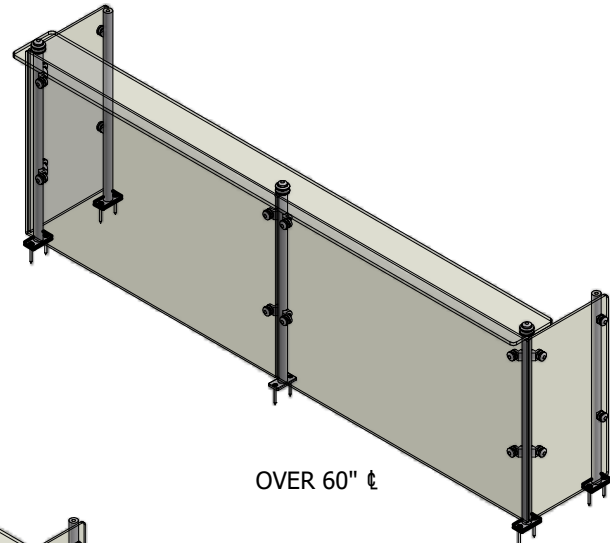
- End Panel - LT
- End Panel - RT
- Shelf Kit

(\* ) Not all options available on all models  
Contact factory for specific information

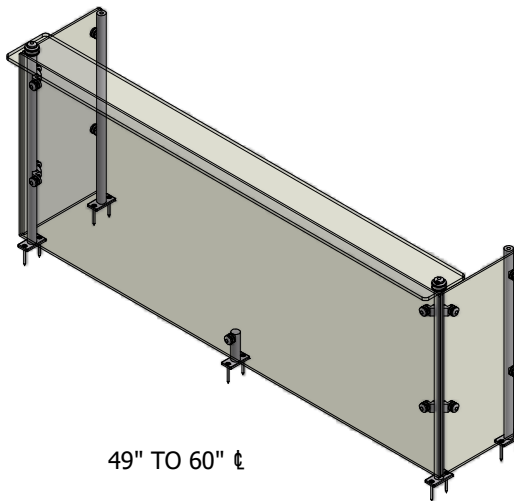
For Mounting Options see Mounting Hardware Guide



UP TO 48"  $\pm$

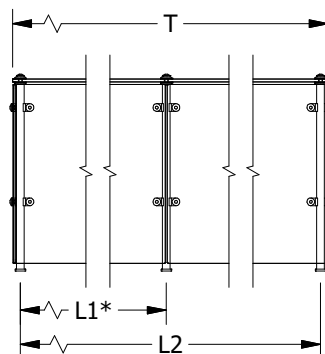
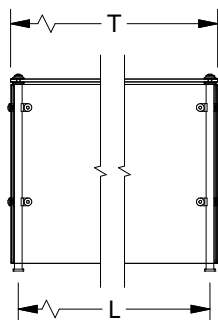


OVER 60"  $\pm$



49" TO 60"  $\pm$

End panels are 1/4" clear tempered glass unless otherwise specified.



(\* - Middle support is centered unless L1 dimension is specified )

-Centerline Dimensions -  
L / L1 - 48" Max (1/4" Glass)

T - 50" MAX  
T1 - 108" MAX

