

Protected by US Patent 7,040,723
Other Patents Pending

Full Service Vertical Protector

- Cafeteria Counters
- Cooking Stations
- Carving Stations

FINISH:

- Brushed Stainless Steel
- Clear Anodized Aluminum
- Powder Coat:
 - Black
 - Silver

RAL # _____

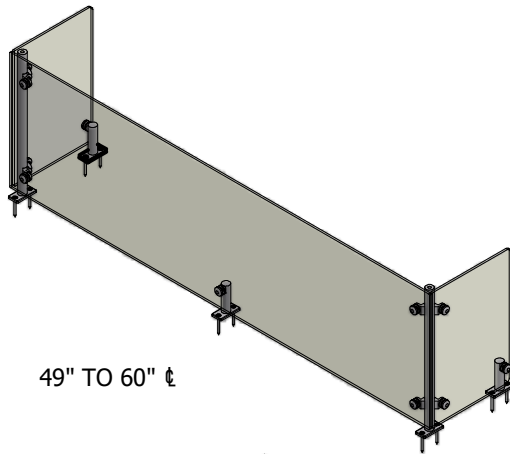
GLASS:

- 1/4" Clr Temp - Std
- 3/8" Clr Temp
- 1/2" Clr Temp
- Frosted

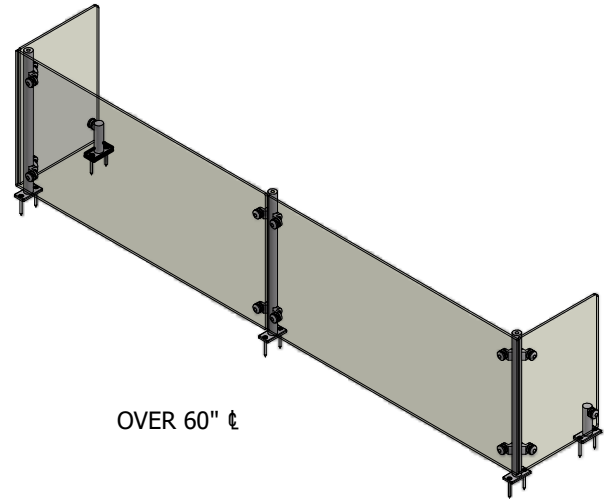
OPTIONS(*):

- End Panel - LT
- End Panel - RT
- Light Fixture
- Warmer
- Shelf Kit

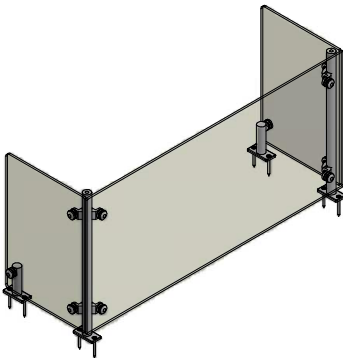
(*) Not all options available on all models
Contact factory for specific information
For Mounting Options see Mounting Hardware Guide



49" TO 60" \updownarrow



OVER 60" \updownarrow

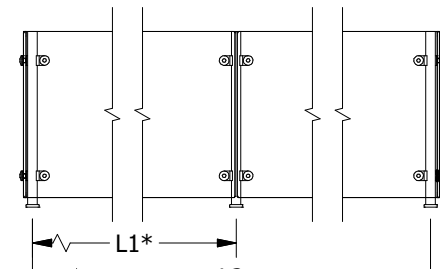
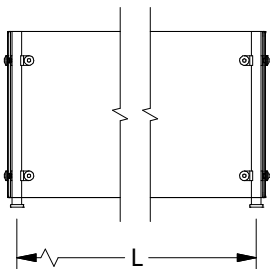


UP TO 48" \updownarrow

- Centerline Dimensions -
- L / L1 - 60" Max (1/4" Glass)**
- 60" Max (3/8" Glass)**
- 72" Max (1/2" Glass)**

End panels are 1/4" clear tempered glass unless otherwise specified.

** Utilizing 3-1/2" Intermediate Support



(* - Middle support is centered unless L1 dimension is specified)

