

Full Service Protector with Intermediate Shelf

FINISH:

- Brushed Stainless Steel
- Clear Anodized Aluminum
- Powder Coat:
 - Black
 - Silver

RAL # _____

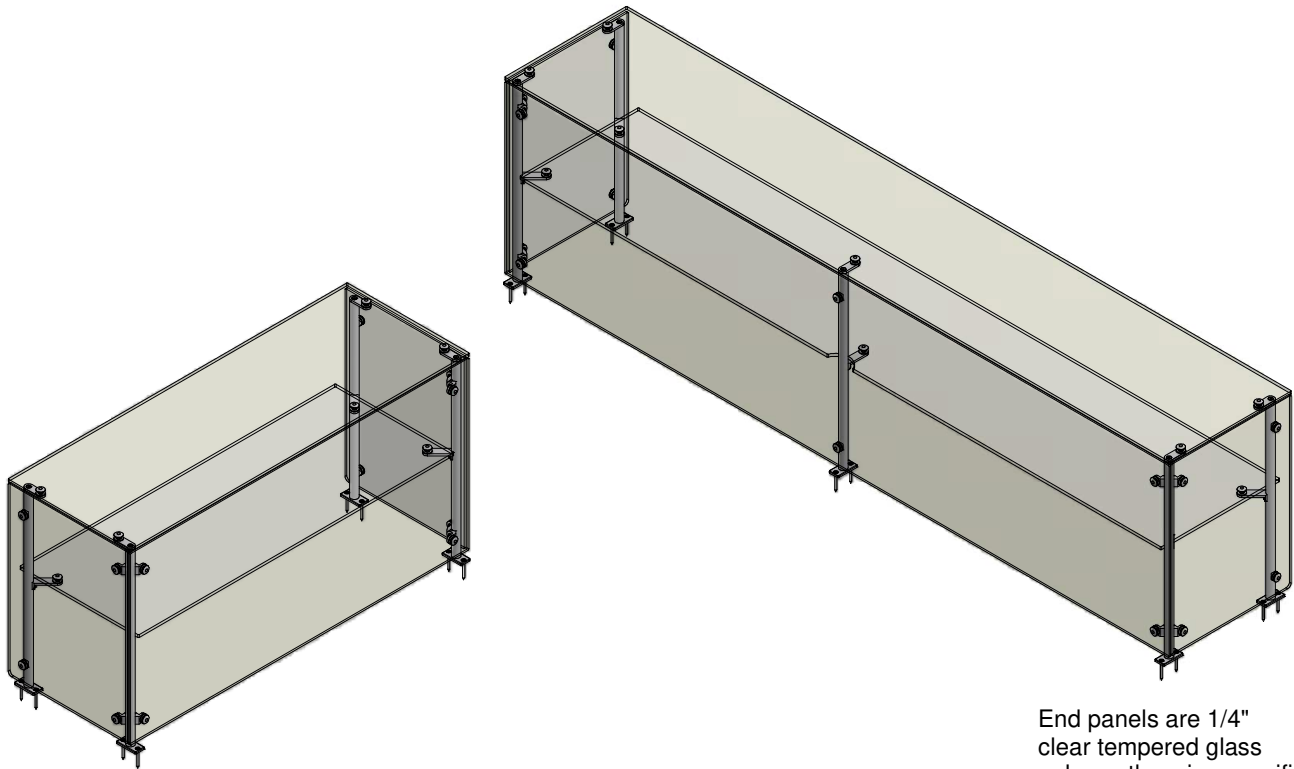
GLASS (Clear Tempered):

- 1/4" Front - Std
- 3/8" Front
- Frosted
- 3/8" Top - Std

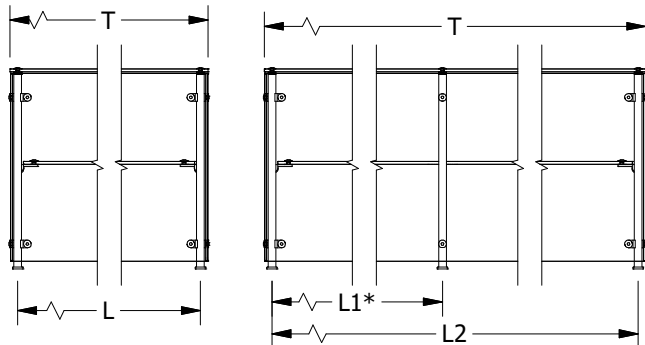
OPTIONS(*):

- End Panel - RT
- End Panel - LT
- Light Fixture
- Warmer
- Shelf Kit

(*) Not all options available on all models
Contact factory for specific information
For Mounting Options see Mounting Specifications



End panels are 1/4" clear tempered glass unless otherwise specified.



(* - Middle support is centered unless L1 dimension is specified)

- Centerline Dimensions -
L / L1 - 48" Max (1/4" Glass)
- 60" Max (3/8" Glass)

T = Top Panel in (1) Piece
T - 108" Max

