

Single-Sided Self-Service Protector w/ Upper Shelf

FINISH:

- Brushed Stainless Steel
- Clear Anodized Aluminum
- Powder Coat:
 - Black
 - Silver

RAL # _____

GLASS (Clear Tempered):

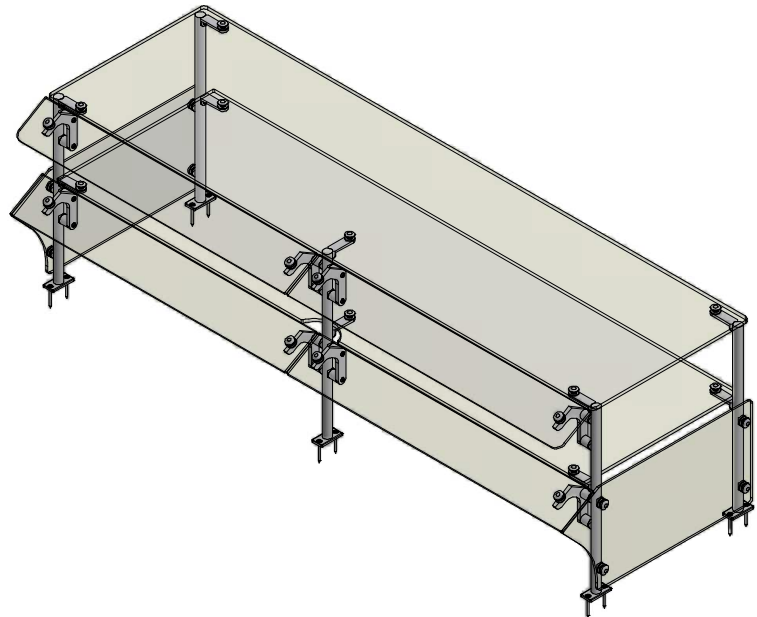
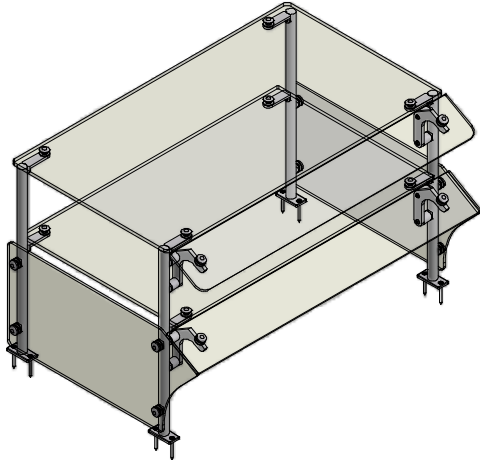
- 1/4" Clr Front - Std
- 3/8" Clr Front
- Frosted
- 3/8" Top - Std

OPTIONS(*):

- End Panel - LT
- End Panel - RT
- Light Fixture
- Warmer
- Shelf Kit

(*) Not all options available on all models
Contact factory for specific information

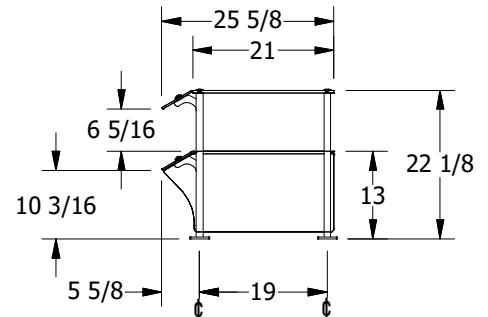
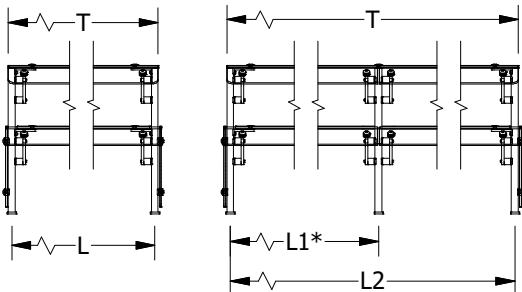
For Mounting Options see Mounting Hardware Guide



- Centerline Dimensions -
L / L1 - 51 1/2" Max (1/4" Glass)
- 63 1/2" Max (3/8" Glass)
- 69 1/2" Max (1/2" Glass)

End panels are 1/4" clear tempered glass unless otherwise specified.

T = Top Panel in (1) Piece
T - 108" Max



(* - Middle support is centered unless L1 dimension is specified)