

## Portable Adjustable Self-Service Protector

### FINISH:

- Brushed Stainless Steel
- Clear Anodized Aluminum
- Powder Coat:
  - Black
  - Silver

RAL # \_\_\_\_\_

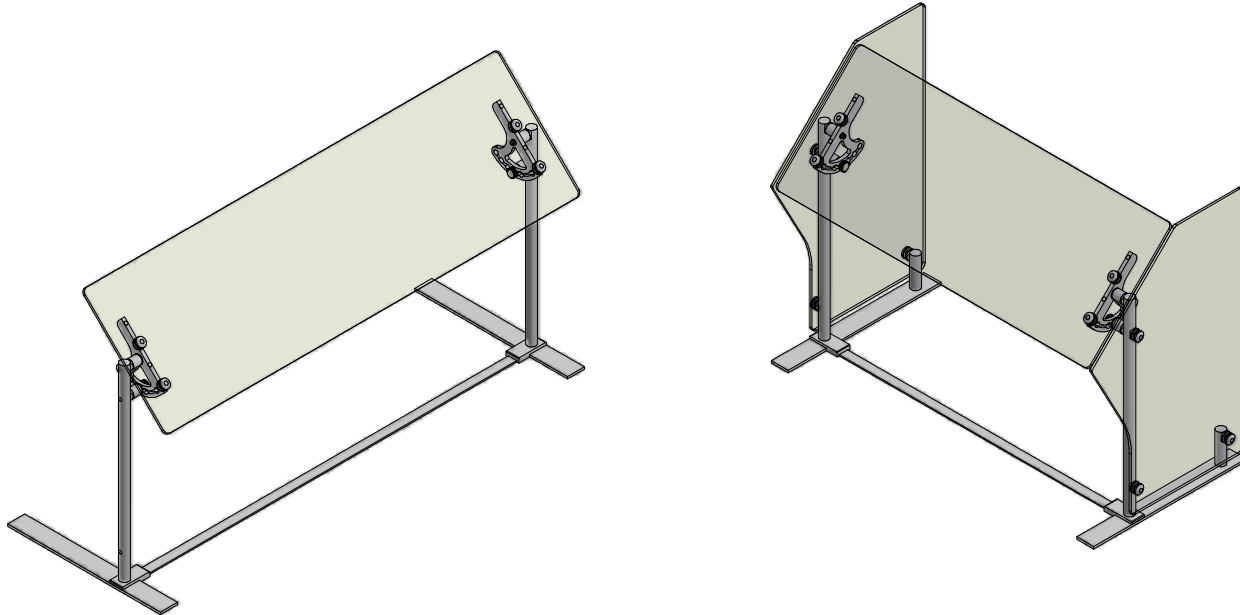
### GLASS (Clear Tempered):

- 1/4" Front - Std
- 3/8" Front
- Frosted

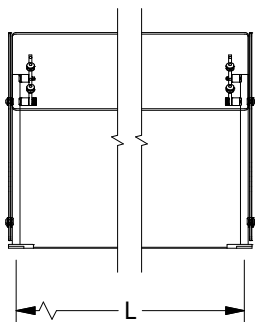
### OPTIONS(\*):

- End Panel - LT
- End Panel - RT

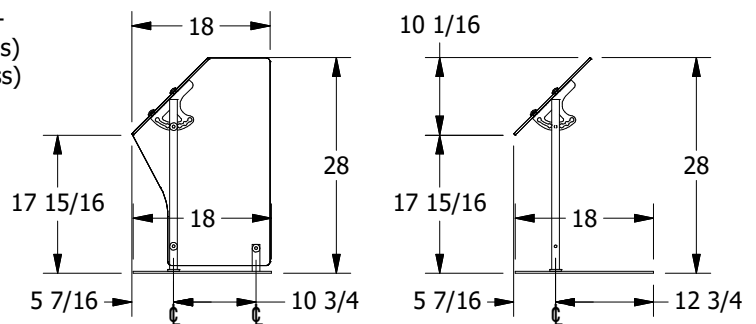
(\* ) Not all options available on all models  
Contact factory for specific information  
For Mounting Options see Mounting Hardware Guide



End panels are 1/4" clear tempered glass unless otherwise specified.



-Centerline Dimensions -  
L - 51.5" Max (1/4" Glass)  
- 63.5" Max (3/8" Glass)



(\* - Inside and Outside Dim of Portable Frame )

