

## Convertible Vertical Protector

- For use as a vertical protector or self-service protector

### FINISH:

- Brushed Stainless Steel
- Clear Anodized Aluminum
- Powder Coat:
  - Black
  - Silver

RAL # \_\_\_\_\_

### GLASS (Clear Tempered):

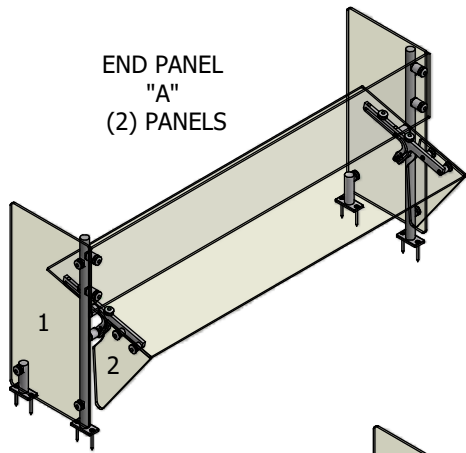
- 1/4" Front - Std
- Frosted

### OPTIONS(\*):

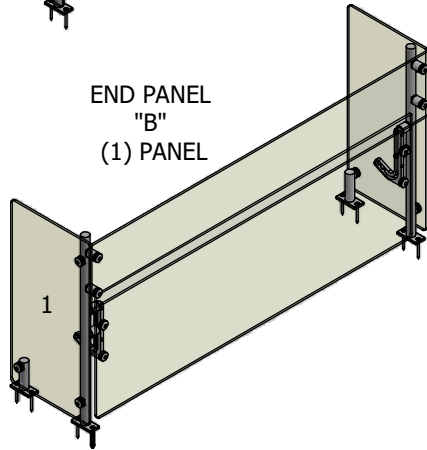
- End Panel A - LT
- End Panel A - RT
- End Panel B - LT
- End Panel B - RT

### End Panel Style Option:

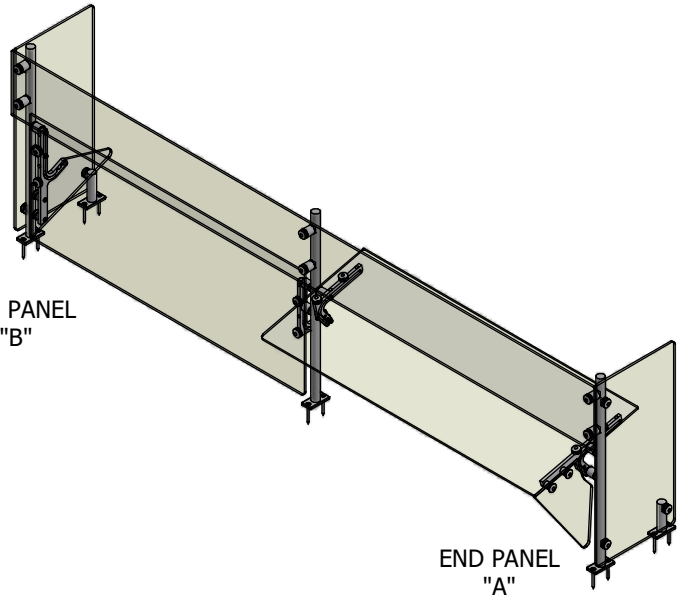
- For Convertible (Vertical to Self-Service) option choose End Panel "A" (2 Panels)
- For Vertical Protector option choose End Panel "B" (1 Panel)



END PANEL "A"  
(2) PANELS



END PANEL "B"  
(1) PANEL

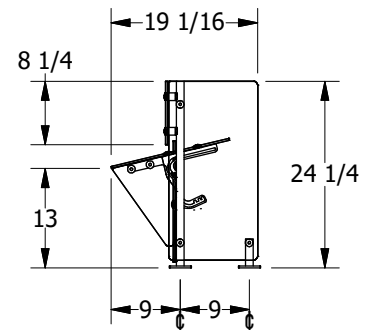
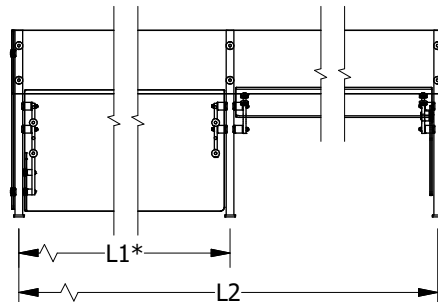
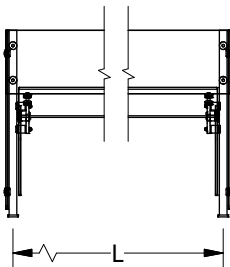


END PANEL "B"

END PANEL "A"

End panels are 1/4" clear tempered glass unless otherwise specified.

- Centerline Dimensions -  
L / L1 - 51 3/4" Max



(\* - Middle support is centered unless L1 dimension is specified)

