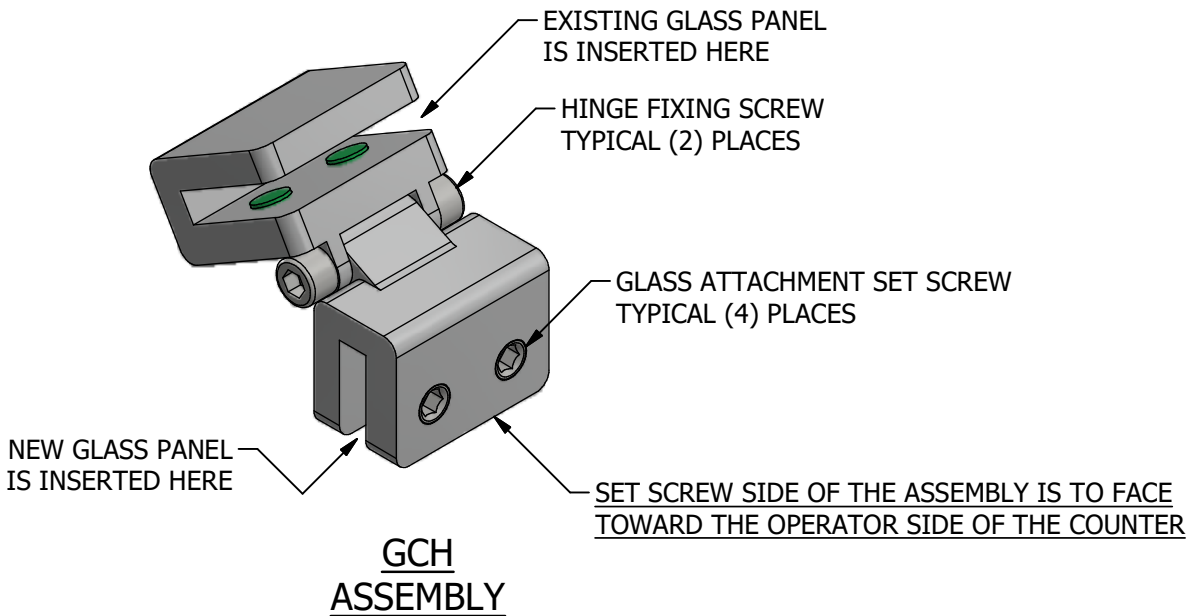


GCH ADJUSTABLE CLAMP INSTALL GUIDE



PRE-LOOSEN BOTH HINGE FIXING SCREWS SO THAT THE TWO HALVES OF THE HINGE PIVOT FREELY.

BACK THE GLASS CLAMP SET SCREWS OUT UNTIL BOTH SLOTS ARE CLEAR OF INTERFERENCE.

PLACE ONE OF THE GCH PARTS ONTO THE LOWER EDGE OF THE FRONT GLASS PANEL OF THE EXISTING FOOD SHIELD. BE SURE TO PLACE IN THE ORIENTATION AS SHOWN IN THE ILLUSTRATION ABOVE.

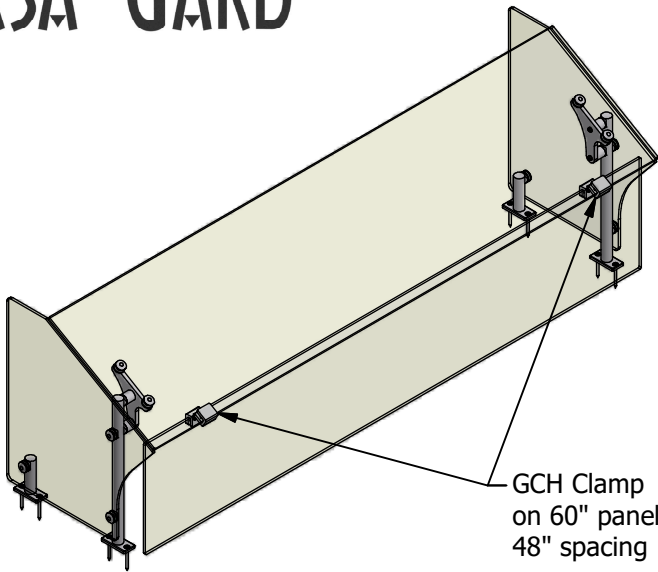
SPACE THE GCH PARTS BETWEEN 6 AND 10 INCHES IN FROM THE SIDE EDGE OF THE EXISTING GLASS PANEL ON BOTH ENDS. PUSH THE GCH PART SO THAT THE GLASS FULLY ENTERS THE SLOT, THEN SNUG UP THE TWO SET SCREWS.

LOCATE THE NEW GLASS PANEL SO THAT THE EDGE IS FULLY ENGAGED INTO THE SLOTS OF THE LOWER PORTION OF THE GCH PARTS. ALIGN THE EDGES OF THE NEW PANEL WITH THE EDGES OF THE EXISTING GLASS PANEL AND AGAIN SNUG THE TWO SET SCREWS ON THE LOWER PORTION OF THE GCH PART.

CHECK PANEL ALIGNMENTS AND ADJUST TO SUIT BY SUPPORTING THE LOWER PANEL AND LOOSENING THE FOUR SET SCREWS (2 IN EACH LOWER PART OF THE GCH ASSEMBLY), MOVING THE PANEL AS REQUIRED AND THEN TIGHTENING THE SET SCREWS. WHEN POSITIONING IS SATISFACTORY, SECURELY TIGHTEN ALL EIGHT SET SCREWS.

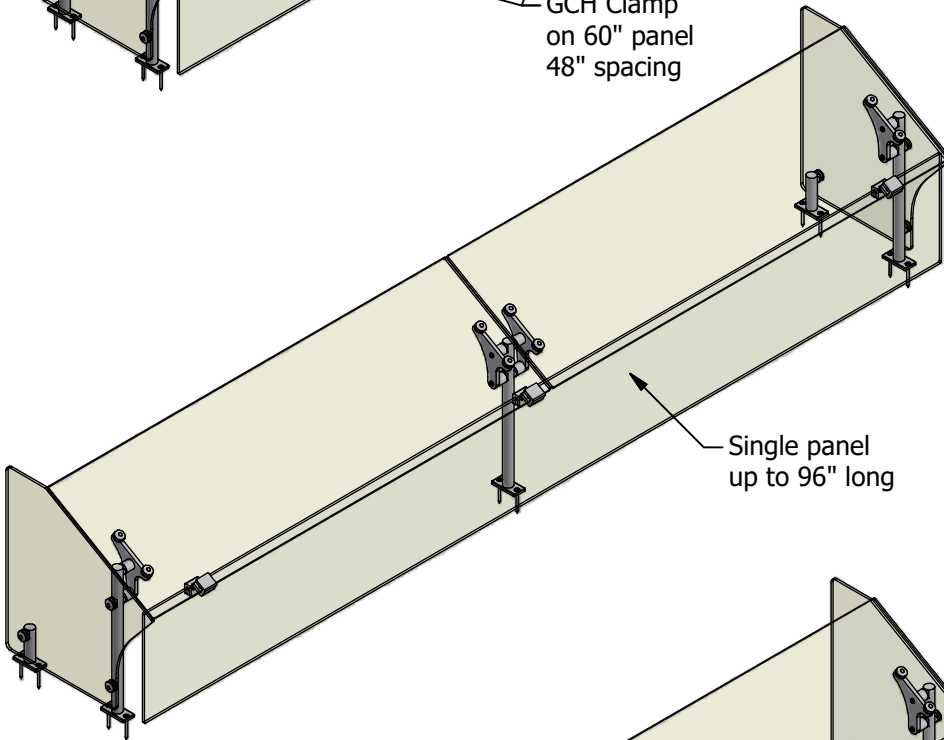
NOW THAT THE GLASS PANELS ARE SECURED WITH ALL GLASS ATTACHMENT SET SCREWS, ROTATE THE LOWER GLASS PANEL INTO THE DESIRED POSITION. ONE BY ONE, TIGHTEN THE FOUR HINGE FIXING SCREWS SECURELY.

VERSA-GARD®



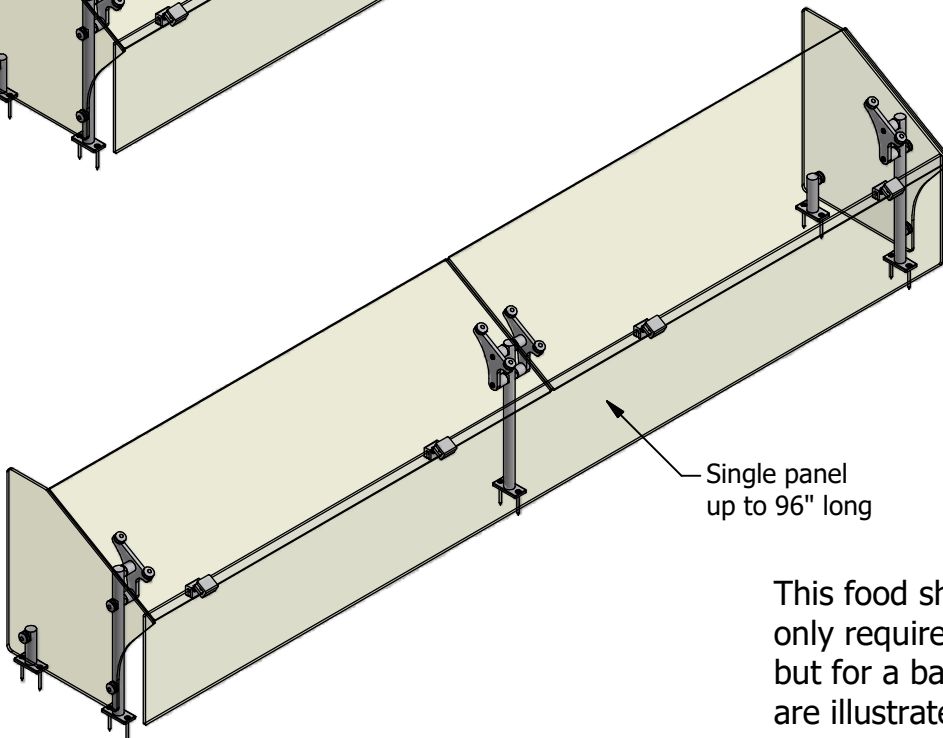
The maximum span between (2) GCH components is 48". This will support a 60" long panel. Space each GCH component 6" in from each end of the glass panel.

GCH Clamp on 60" panel 48" spacing



An existing food shield with (2) front panels that does not exceed 96" oa in length may utilize a single front panel and will require only (3) GCH components.

Single panel up to 96" long



This food shield at 96" oa length only requires (3) GCH components, but for a balanced look, (4) components are illustrated.

Single panel up to 96" long