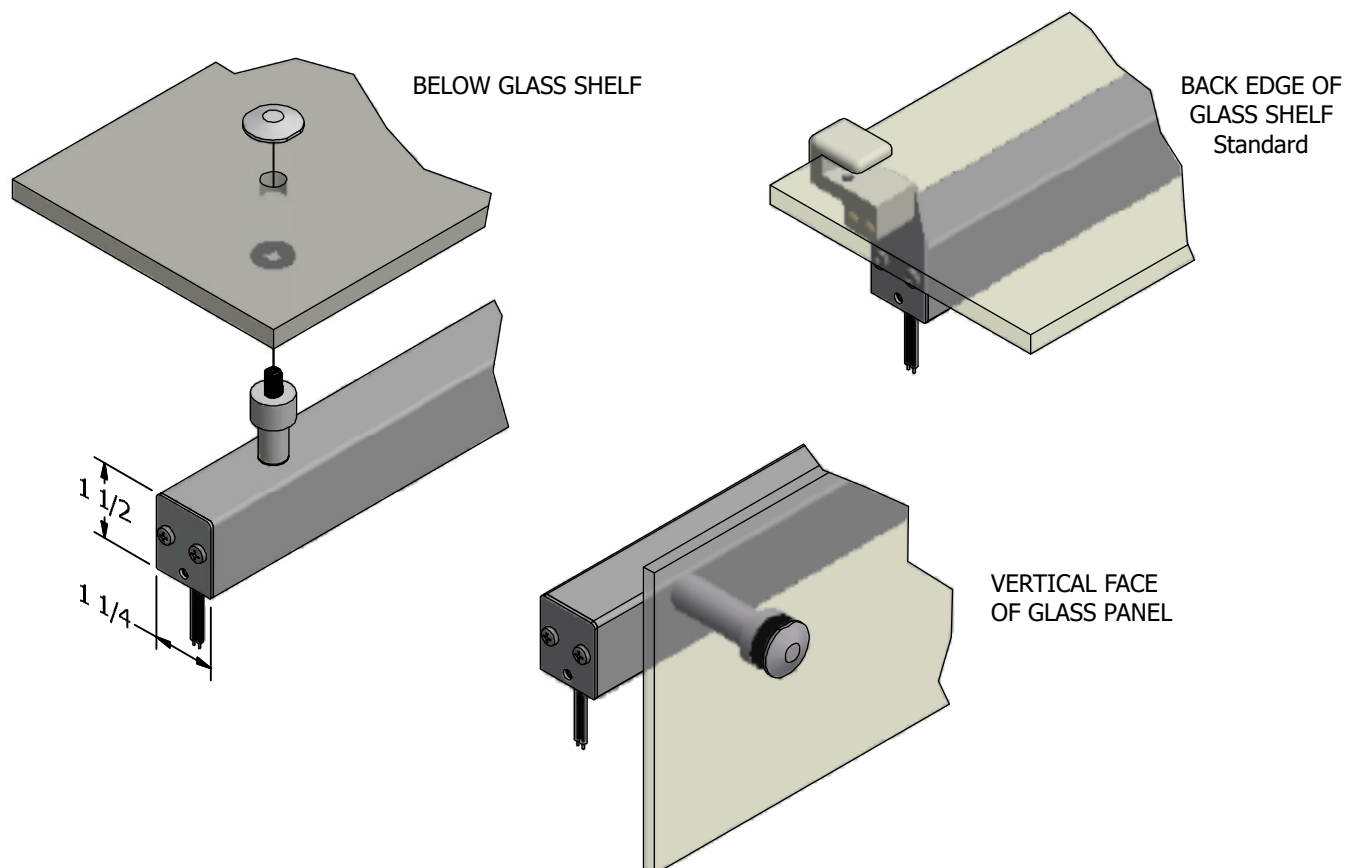


Lamp Information

LED - 2.6W/ft - up to 346.3 Lumens/ft

- 2 Wire operation
- Safe low voltage 12V DC operation
- 3500K Neutral white color temperature
- 92.6 CRI - Wide 120° light beam
- IP68 Rating
- ISO 9001:2015 Certified
- Supplied with remote class II direct wire power supply and remote switch
- Rated 50,000 hours
- 90-264 VAC, 47-63 Hz, Single-Phase input
- 2 year warranty
- Supplied in 1-1/4" w X 1-1/2" h aluminum housing

Fixture Attachments

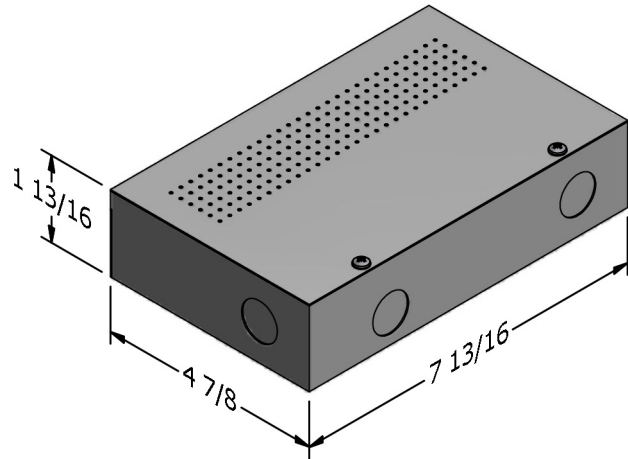


LED Driver Enclosure

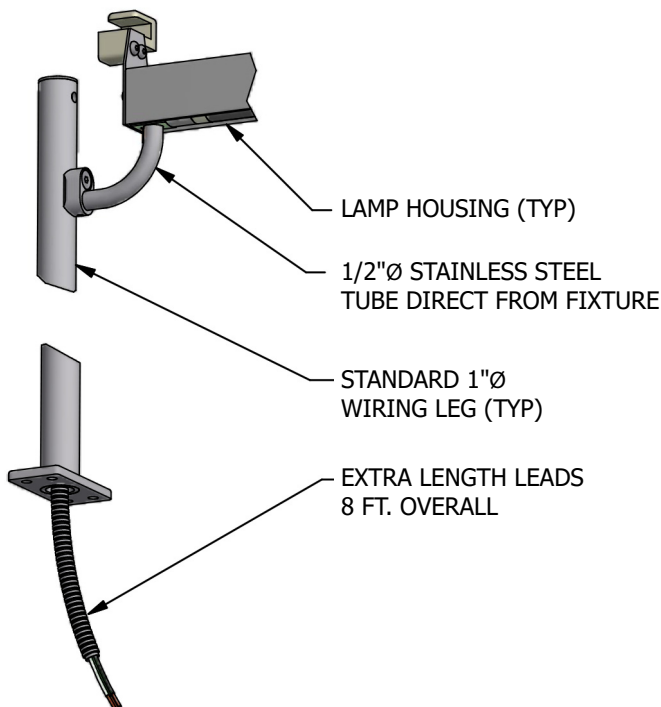
All installations require a remote-mounted power supply enclosure. Toggle Switch supplied with box for remote installation by certified electrician.

Wiring Notes:

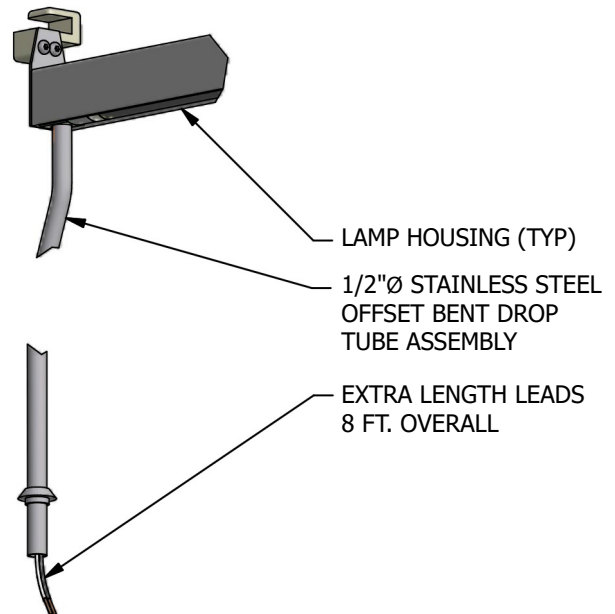
Examples shown are typical styles provided. Actual method will depend on design constraints, which are unique to each application.



Typical Lamp Wiring through Protector Leg



Typical Lamp Wiring with Offset Drop Tube



Typical LED Wiring Installation

