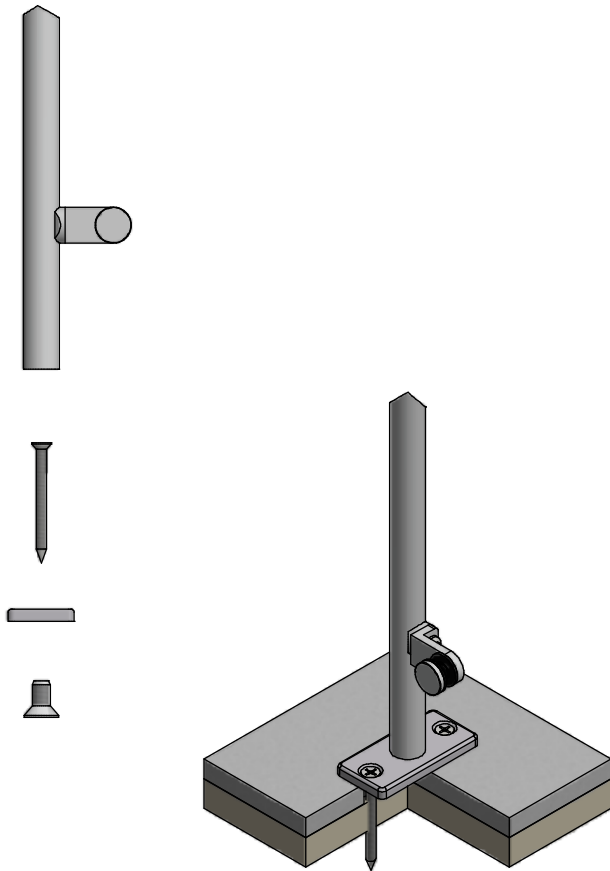
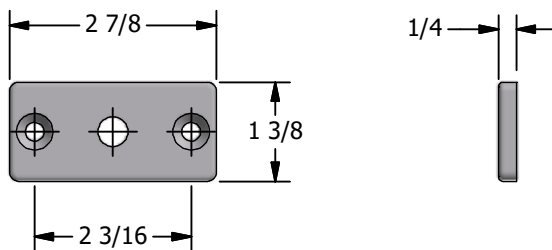


## MOUNTING OPTIONS

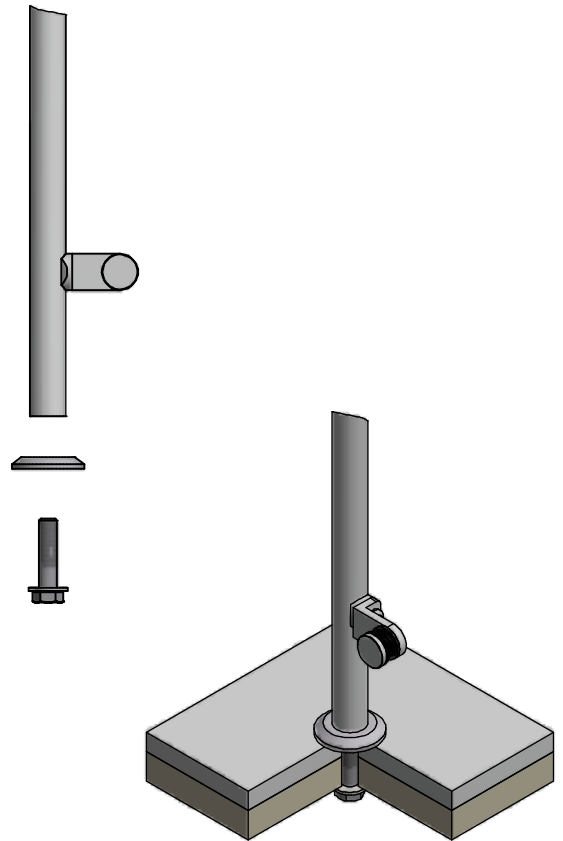
A



FL31 SURFACE  
MOUNT FLANGE



B



FL7-15  
CONCEALED MOUNT  
FLANGE

