

Adjustable Self-Service Food Protector w/ Top Shelf for Extended Spans

FINISH:

- Clear Anodized Aluminum
- Powder Coat:
 - Black
 - Silver

RAL#

GLASS (Clear Tempered):

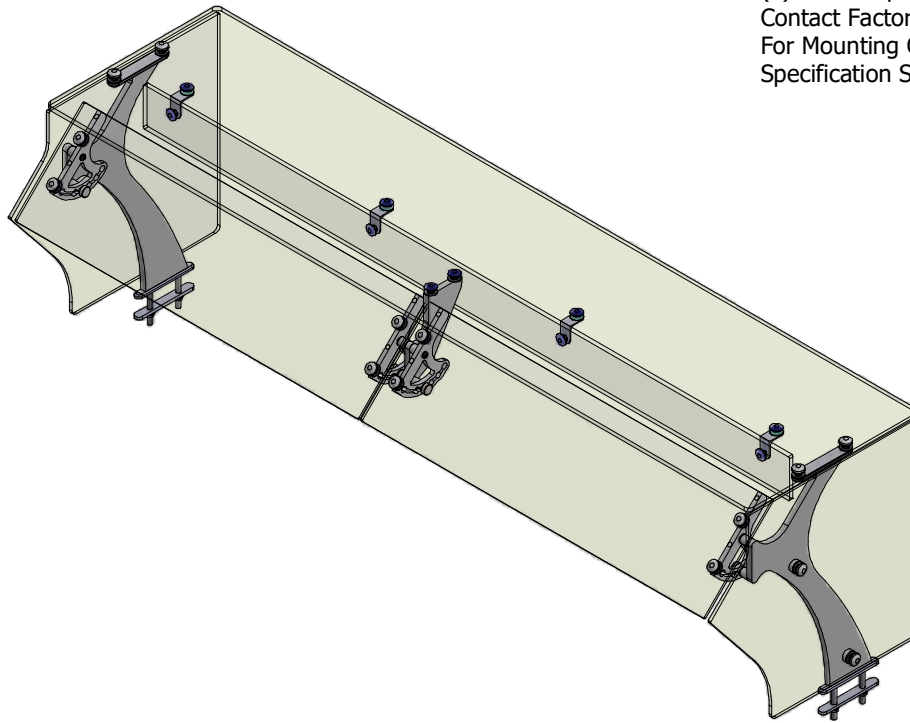
- 1/4" Front - Std
- 3/8" Top - Std

OPTIONS (*):

- End Panel - LT
- End Panel - RT
- VG 12V LED Light
- Hatco Strip Warmer

Model# _____

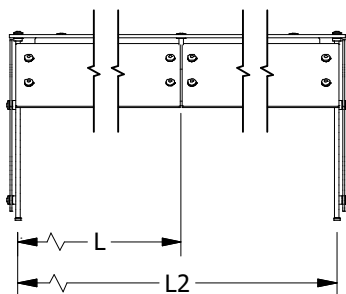
(*) Not all options available on all models. Contact Factory for specific information. For Mounting Options, see Mounting Specification Sheet



End panels are 1/4" clear tempered glass unless otherwise specified.

- Centerline Dimensions -

- L - 48" Max
- L2 - 96" Max



(* - Middle support is centered unless L dimension is specified)

