

## Full-Service Protector

### FINISH:

- Clear Anodized Aluminum
  - Powder Coat:
    - Black     Silver
- RAL# \_\_\_\_\_

### GLASS (Clear Tempered):

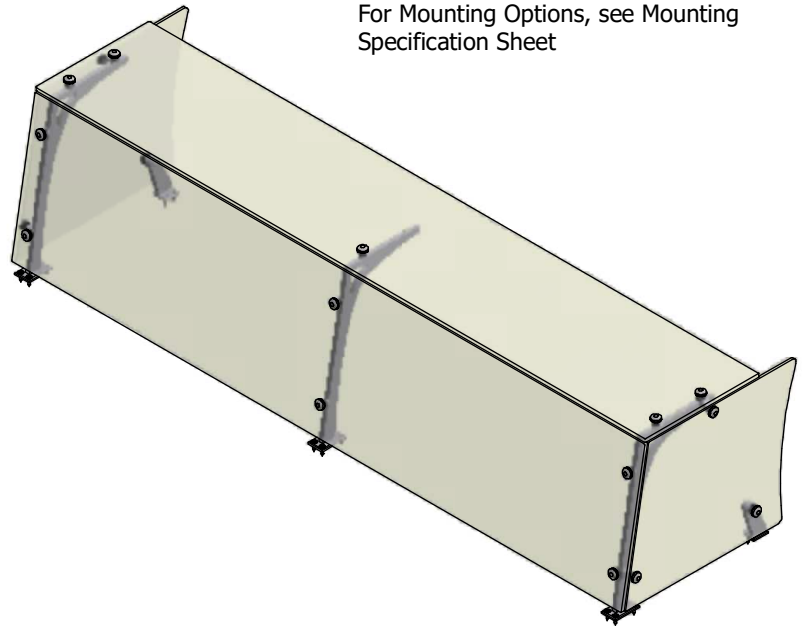
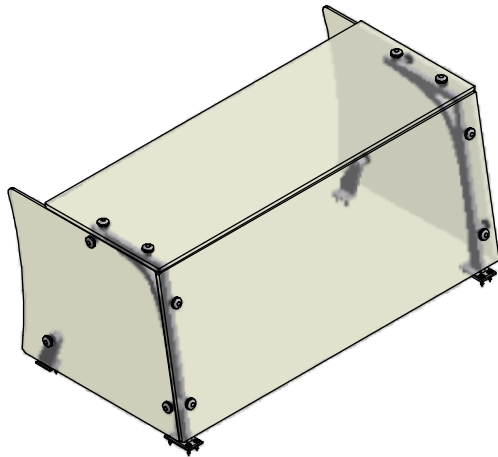
- 3/8" Front - Std
- 1/2" Front

### OPTIONS (\*):

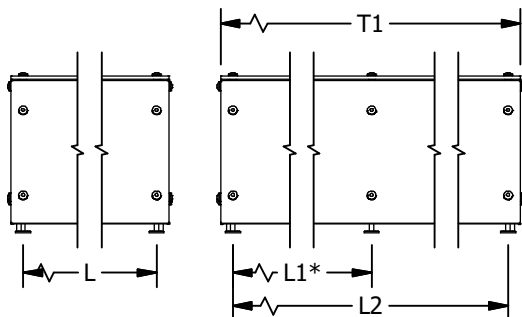
- End Panel - LT
- End Panel - RT
- VG 12V LED Light
- Hatco Strip Heater

Model# \_\_\_\_\_

(\* ) Not all options available on all models.  
Contact Factory for specific information.  
For Mounting Options, see Mounting  
Specification Sheet



End panels are 1/4"  
clear tempered glass  
unless otherwise specified.



(\* - Middle support is centered unless L1 dimension is specified )

- Centerline Dimensions -  
L / L1 - 60" Max (3/8" Glass)  
- 66" Max (1/2" Glass)  
T1 - 96" Max in Single Section

