

Protected by US Patent #D610,374

Double Sided Self-Service Protector

FINISH:

- Clear Anodized Aluminum
 - Powder Coat:
 - Black Silver
- RAL# _____

GLASS (Clear Tempered):

- 3/8" Top - Std
- 1/2" Top

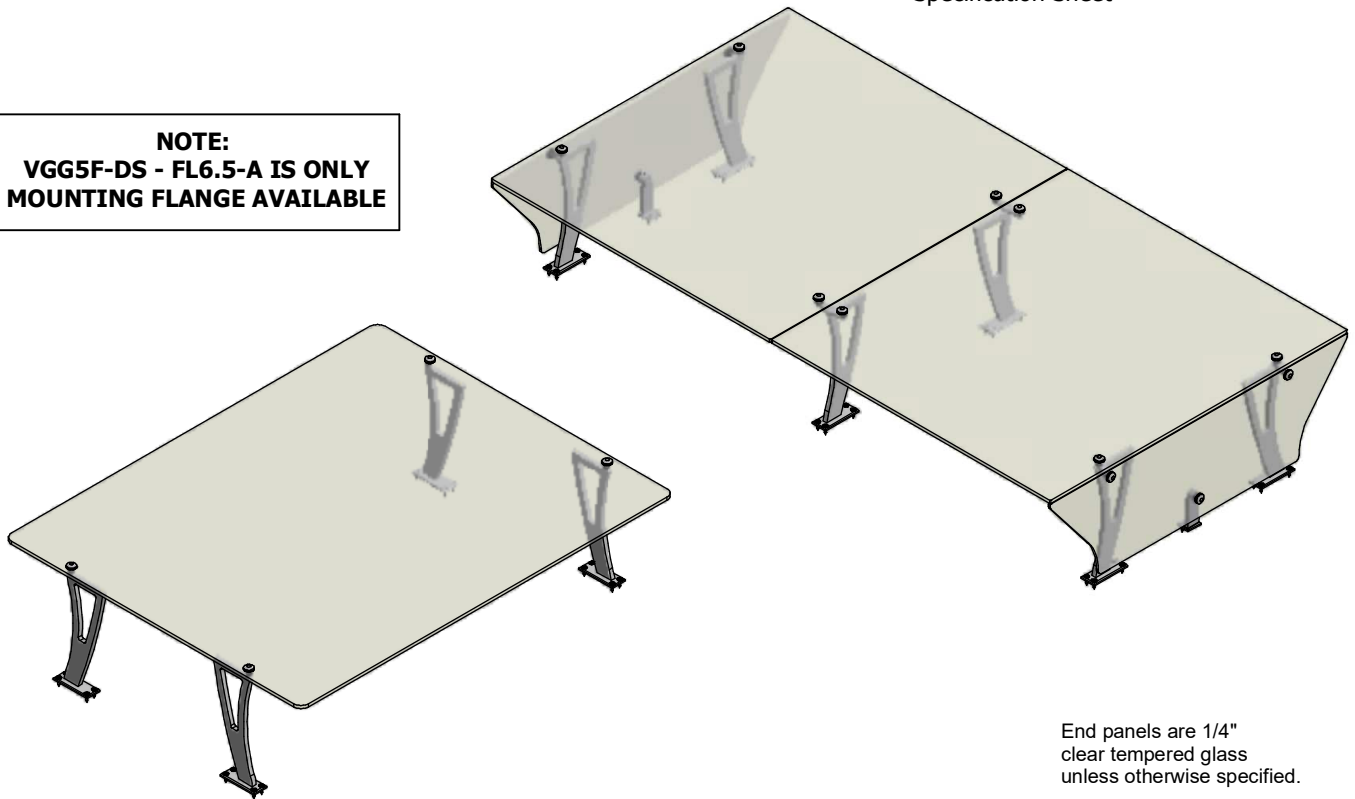
OPTIONS (*):

- End Panel - LT
- End Panel - RT
- VG 12V LED Light
- Hatco Strip Warmer

Model # _____

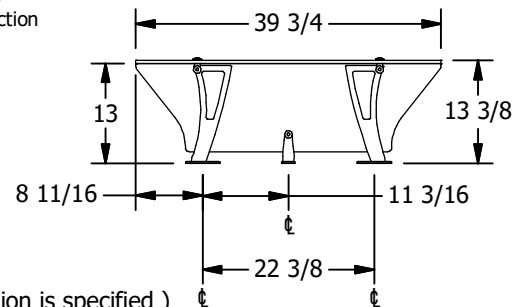
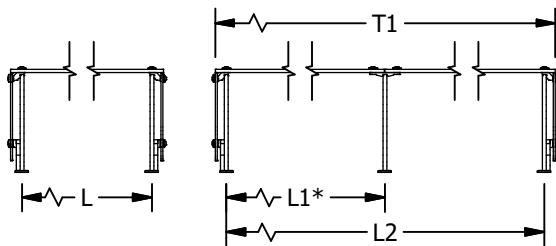
(*) Not all options available on all models.
Contact Factory for specific information.
For Mounting Options, see Mounting
Specification Sheet

NOTE:
**VGG5F-DS - FL6.5-A IS ONLY
MOUNTING FLANGE AVAILABLE**



End panels are 1/4" clear tempered glass unless otherwise specified.

- Centerline Dimensions -
- L / L1 - 60" Max (3/8" Glass)
- 66" Max (1/2" Glass)
- T1 - 96" Max in Single Section



(* - Middle support is centered unless L1 dimension is specified)