

Sloped Service Protector

FINISH:

- Clear Anodized Aluminum
- Powder Coat:
 - Black
 - Silver

RAL# _____

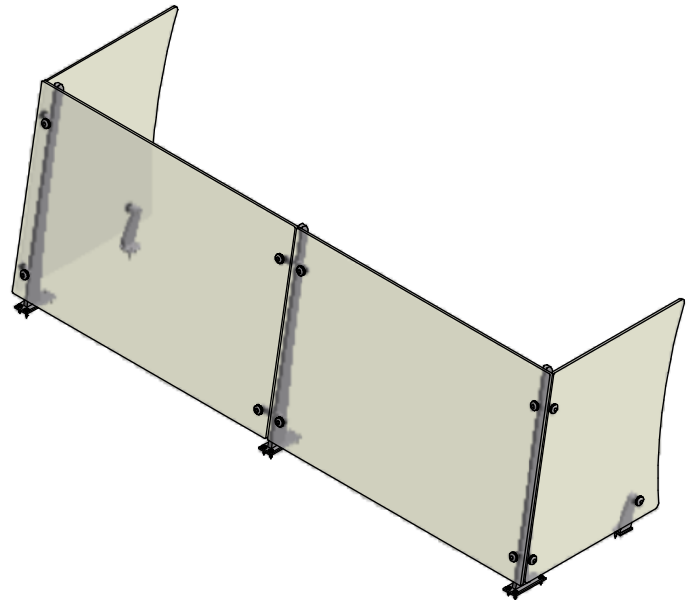
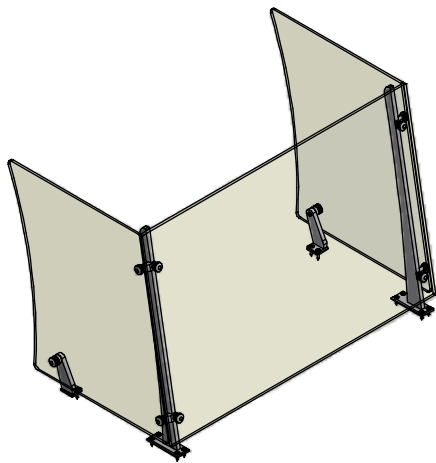
GLASS (Clear Tempered):

- 3/8" Front - Std
- Frosted

OPTIONS (*):

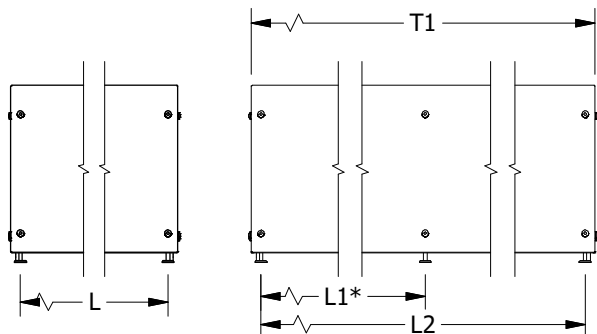
- End Panel - LT
- End Panel - RT

(*) Not all options available on all models.
Contact Factory for specific information.
For Mounting Options, see Mounting
Specification Sheet

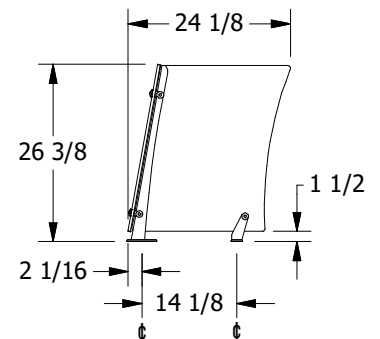


NOTE:
VGG1 ONLY - FL6.5-A IS ONLY
MOUNTING FLANGE AVAILABLE

End panels are 1/4" clear tempered glass unless otherwise specified.



- Centerline Dimensions -
L / L1 - 60" Max (3/8" Glass)
T1 - 96" Max in Single Section



(* - Middle support is centered unless L1 dimension is specified)