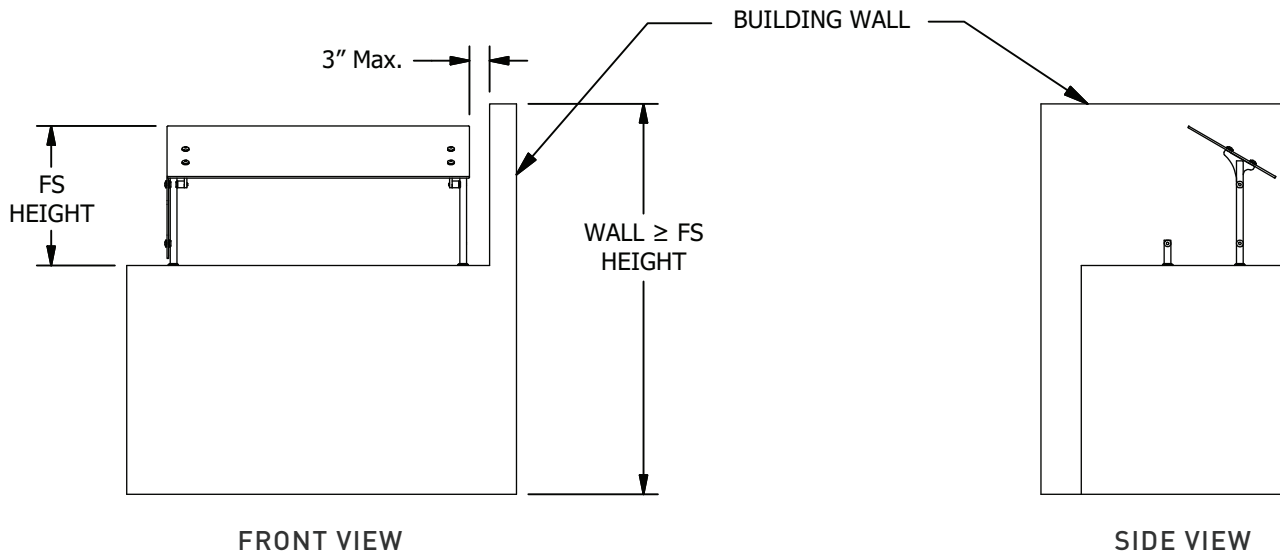


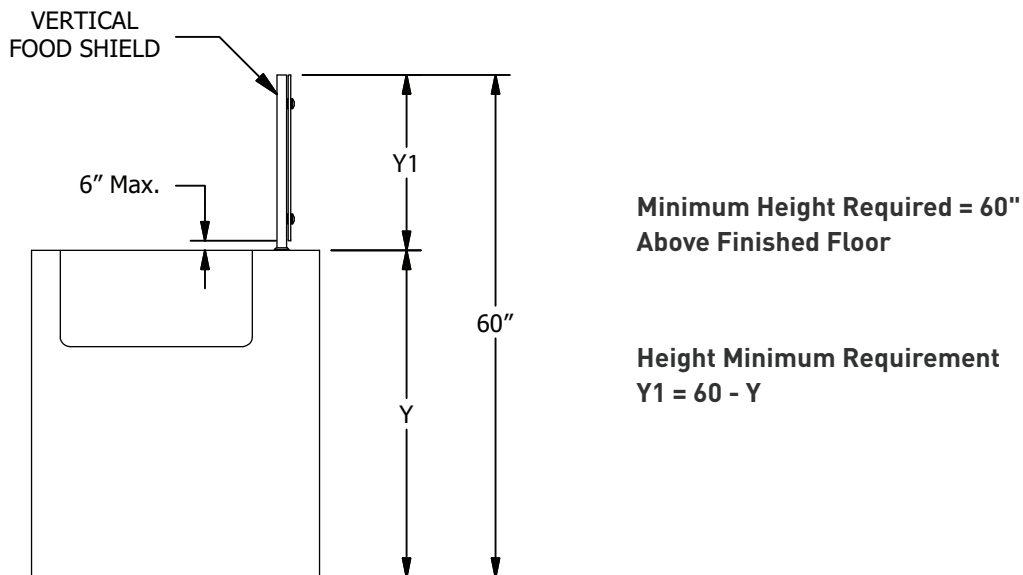
Guidelines for End Panels

A food shield intended to be installed a maximum of 3" from a building wall perpendicular to the food shield does not require an end panel provided that the height of the building wall is not lower than the overall height of the food shield.



(NSF/ANSI 2 - 2015) 5.36.1.6.2

Guidelines for Vertical Food Shields

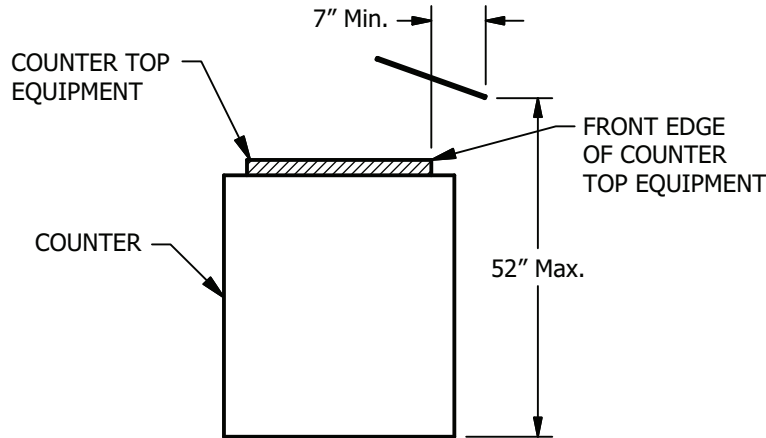


(NSF/ANSI 2 - 2015) 5.36.4.1

Guidelines for Portable Food Shields for Counter Top Equipment

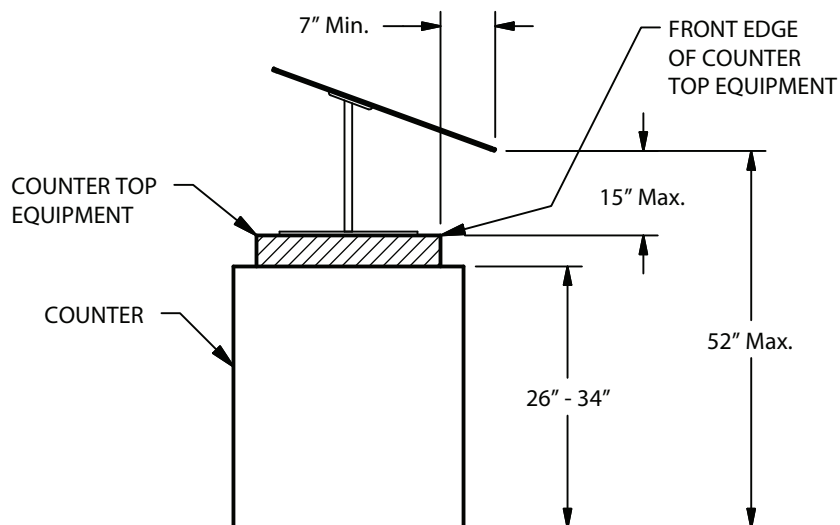
The maximum vertical distance between the finished floor and the bottom leading edge of the food shield shall be 52".

The minimum horizontal distance between the front of the counter top equipment and the bottom leading edge of a food shield shall be 7".



(NSF/ANSI 2 - 2015) 5.36.6

Guidelines for Self-Service Food Shields Attached to Counter Top Equipment



(NSF/ANSI 2 - 2015) 5.36.7