

# VGCP9-DS

Double-Sided Self-Service Protector  
with Upper Shelf

Item No: \_\_\_\_\_

Qty: \_\_\_\_\_

Length (O.A.): \_\_\_\_\_

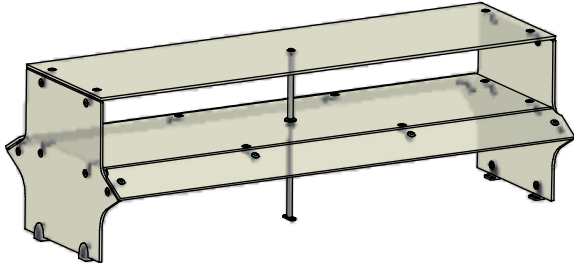
## SPECIFICATIONS:

Double-Sided Self-Service Food Protector with Upper Shelf.

All component hardware CNC machined in 6061-T6 aluminum to  $\pm .005"$ .

All glass panels are 3/8" clear tempered with ground & polished edges and meet ANSI Z97.1 specifications for safety performance and ASTM C1048-04 specifications for heat treated glass.

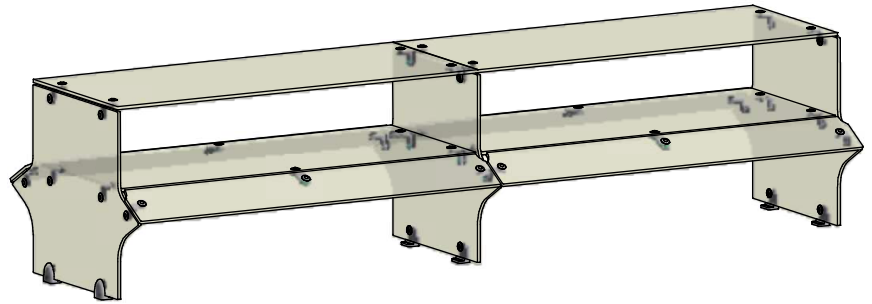
All hardware supplied in a satin clear anodized aluminum finish.



### 1 - Section Unit

Up to 96" O.A. length max.

\* Center support not required  
under 62" O.A. length



### 2 - Section Unit \*

Up to 192" O.A. length, (2) 96" sections max.

\* Can Be Configured In Multiple Sections

#### FINISH:

- Clear Anodized Aluminum (std.)
  - Anodized Aluminum Custom Color
- \_\_\_\_\_ ( Contact Factory )

#### GLASS:

- Clear (std.)
- Frosted

#### OPTIONS:

- VG 12V LED Light
  - Hatco Strip Warmer
- Model # \_\_\_\_\_

#### MOUNT:

- Conceal Mount
- Surface Mount

#### - Overall Dimensions -

L / L1 - 96" Max  
L2 - 192" Max

