

1 - Section Unit
Up to 96" O.A. length max.

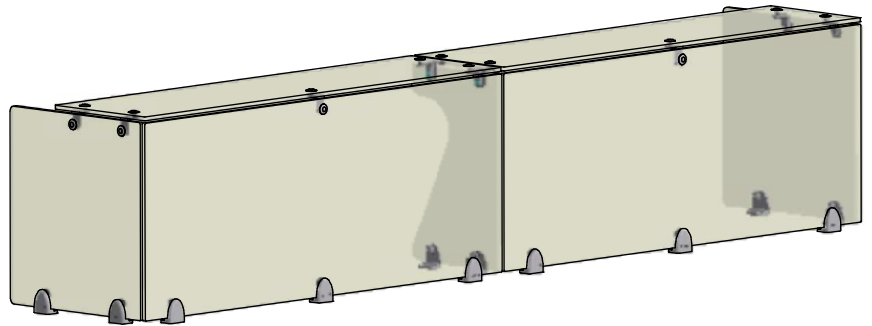
SPECIFICATIONS:

Full Service Food Protector.

All component hardware CNC machined in 6061-T6 aluminum to $\pm .005"$.

All glass panels are 3/8" clear tempered with ground & polished edges and meet ANSI Z97.1 specifications for safety performance and ASTM C1048-04 specifications for heat treated glass.

All hardware supplied in a satin clear anodized aluminum finish.



2 - Section Unit *
Up to 192" O.A. length, (2) 96" sections max.

* Can Be Configured In Multiple Sections

FINISH:

- Clear Anodized Aluminum (std.)
- Anodized Aluminum Custom Color
_____ (Contact Factory)

GLASS:

- Clear (std.)
- Frosted

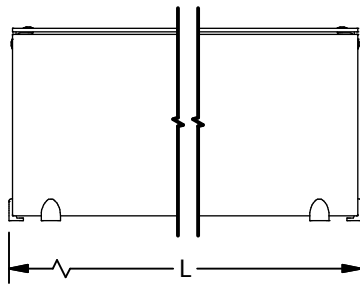
OPTIONS:

- VG 12V LED Light
- Hatco Strip Warmer

Model # _____

MOUNT:

- Conceal Mount
- Surface Mount



- Overall Dimensions -

L / L1 - 96" Max
L2 - 192" Max

