

## Full Service Vertical Protector

### FINISH:

- Brushed Stainless Steel
- Clear Anodized Aluminum
- Powder Coat:
  - Black
  - Silver

RAL # \_\_\_\_\_

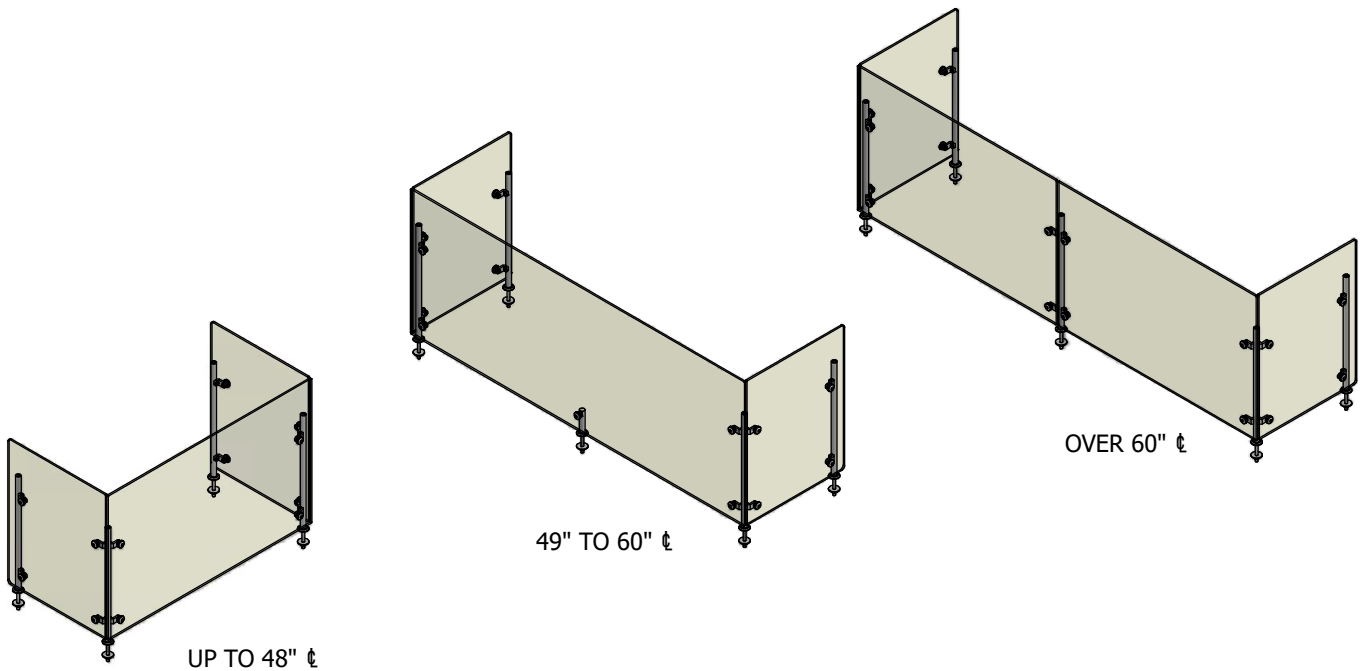
### GLASS:

- 1/4" Clr Temp - Std
- 3/8" Clr Temp
- Frosted

### OPTIONS(\*):

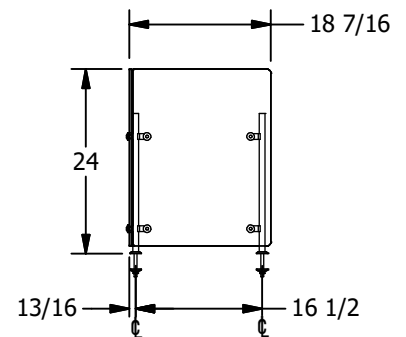
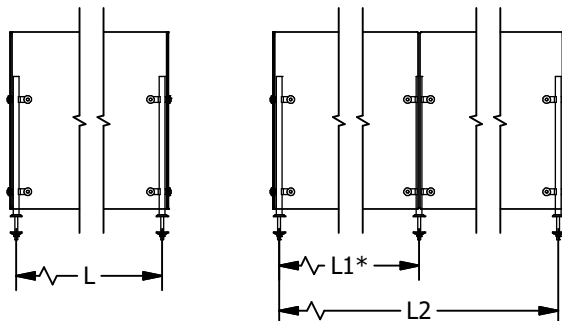
- End Panel - LT
- End Panel - RT

(\* ) Not all options available on all models  
Contact factory for specific information  
For Mounting Options see Mounting Hardware Guide



End panels are 1/4" clear tempered glass unless otherwise specified.

-Centerline Dimensions -  
L / L1 - 60" Max (1/4" Glass)



(\* - Middle support is centered unless L1 dimension is specified )